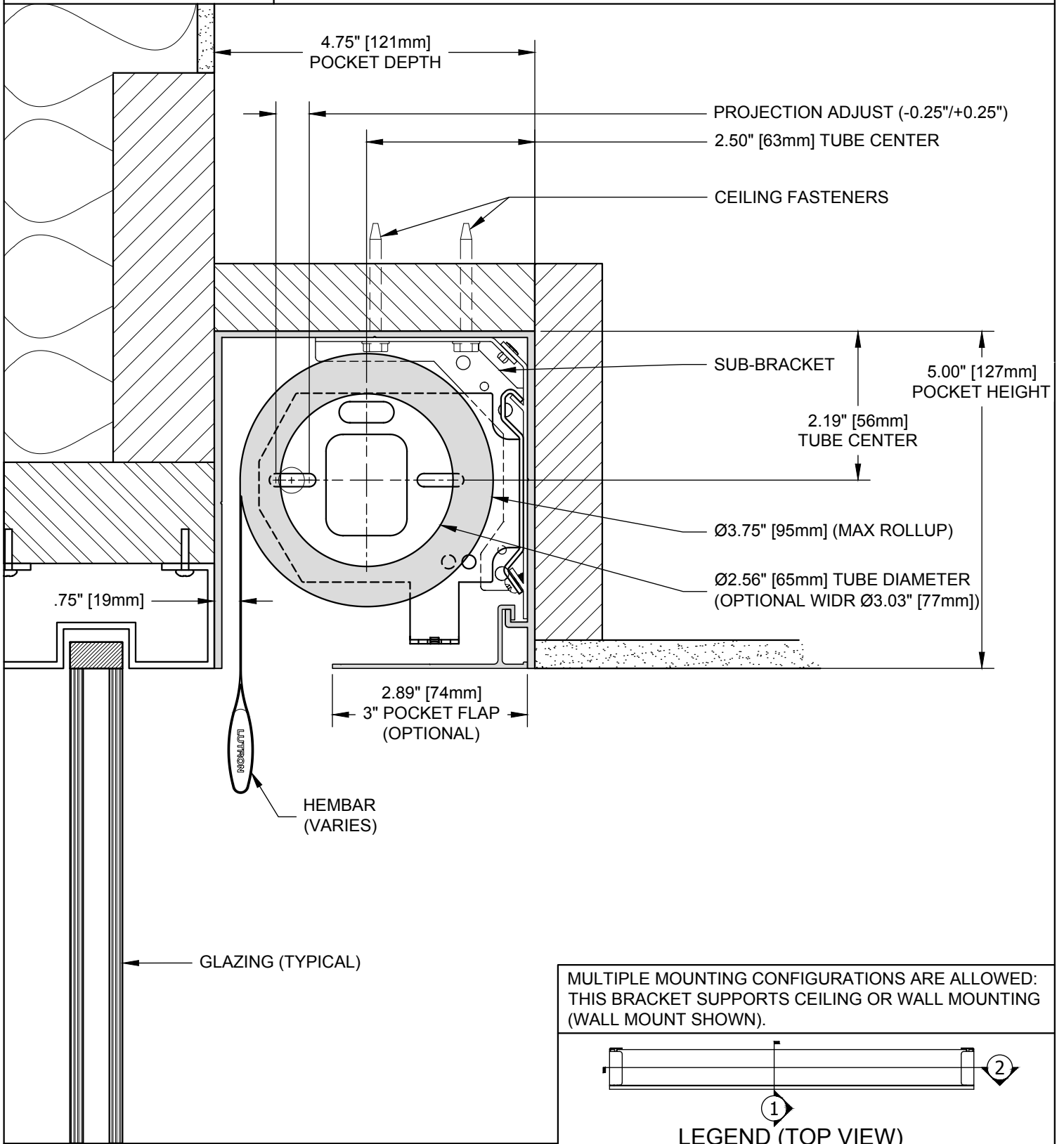


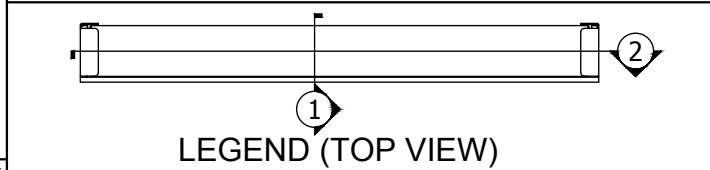
ROLLER 100/150/300

POCKET MOUNT SHADE IN 5" POCKET



SHADE INSTALLED AS PROVIDED BY FACTORY WILL HAVE ALL NECESSARY CLEARANCES FOR PROPER OPERATION. IF ADJUSTMENT FEATURES ARE UTILIZED, IT IS THE RESPONSIBILITY OF THE INSTALLER TO ENSURE PROPER CLEARANCES ARE MAINTAINED. NOT ALL ADJUSTMENTS ARE AVAILABLE AT MAXIMUM ROLL Ø.

MULTIPLE MOUNTING CONFIGURATIONS ARE ALLOWED: THIS BRACKET SUPPORTS CEILING OR WALL MOUNTING (WALL MOUNT SHOWN).



ROLLER 100/150/300		085395
SCALE: 1/2	VIEW: 1	REVISION: A

SECTION VIEW