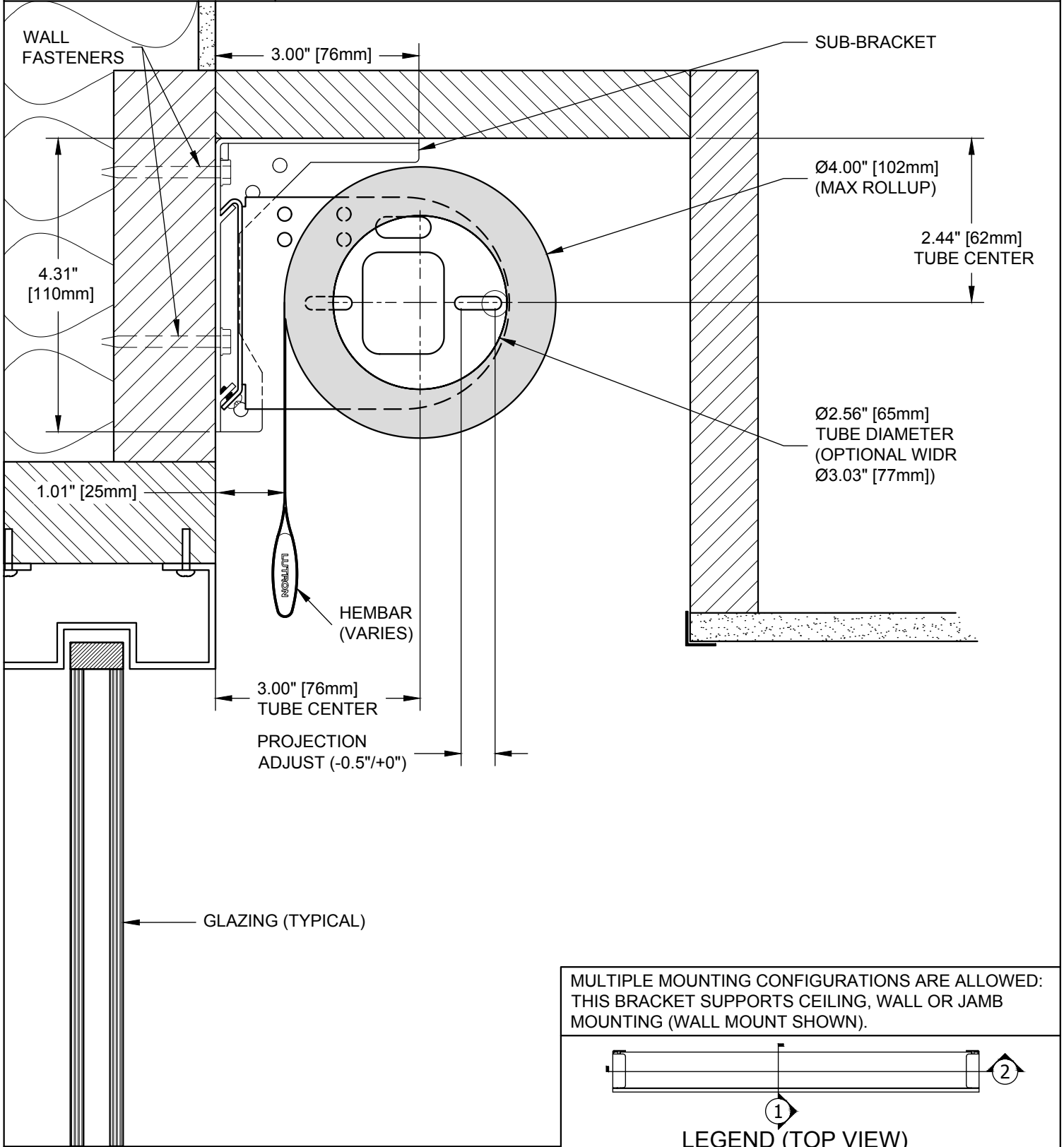
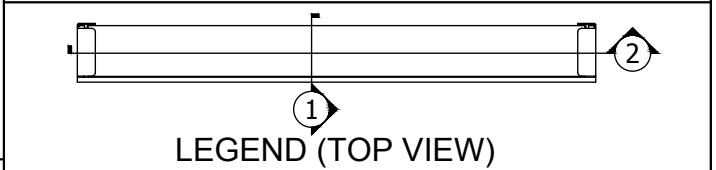


ROLLER 100/150/300 JAMB MOUNT SHADE



SHADE INSTALLED AS PROVIDED BY FACTORY WILL HAVE ALL NECESSARY CLEARANCES FOR PROPER OPERATION. IF ADJUSTMENT FEATURES ARE UTILIZED, IT IS THE RESPONSIBILITY OF THE INSTALLER TO ENSURE PROPER CLEARANCES ARE MAINTAINED. NOT ALL ADJUSTMENTS ARE AVAILABLE AT MAXIMUM ROLL Ø.

MULTIPLE MOUNTING CONFIGURATIONS ARE ALLOWED: THIS BRACKET SUPPORTS CEILING, WALL OR JAMB MOUNTING (WALL MOUNT SHOWN).



ROLLER 100/150/300 085386  
 SCALE: 1/2 VIEW: 1 REVISION: A

**SECTION VIEW**