

## Serena Insulating Honeycomb Shades

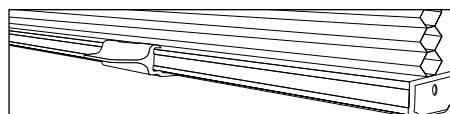
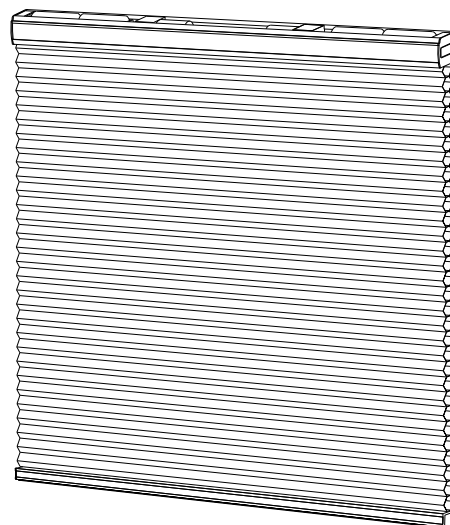
## Sivoia QS Triathlon Insulating Honeycomb Shades

Lutron remote-controlled insulating honeycomb shades start, move, and stop smoothly and quietly, providing privacy and light control at the touch of a button.

### Features

- Battery-powered, wired power, and cordless manual models available
- Industry leading battery performance\*
- Precise drive is capable of stopping at 0.125 in (3 mm) intervals throughout the entire travel of the shade
- Triathlon drive technology maintains accurate bottom rail alignment by compensating for fabric weight and battery voltage
- Easy installation and maintenance
- Built in wireless communication using Clear Connect RF technology
- Wireless control range: 30 ft (9 m)

\* *Battery performance details are available in your shade ordering tool.*



Cordless Manual models include bottom bar handle

## Specifications

### Regulatory

- cULus listed (E135084)
- FCC (USA)
- IC (Canada)
- CFT (Mexico)
- CRC (Columbia)
- SUTEL (Costa Rica)
- ANATEL (Brazil)
- SUPERTEL (Ecuador)
- CE
- FCC (USA, Hong Kong)
- CMIIT (China)
- IDA (Singapore)
- CE (European Union)
- TRA (UAE)

### Ratings

- Operating Voltage: 6-12V $\overline{=}$
- Operating Wattage: 5 W
- Torque: 2.5 in-lb (0.28 N•m)
- Speed: 1.8 in/sec

### Environment

- Temperature: 32° F to 104° F (0° C to 40° C)
- For indoor use only
- Relative Humidity: <90% non-condensing

### Compatible Controls

#### Serena Models

- Pico wireless control
- 4-Group RF Shade Remote Control
- Caséta (Smart Bridge)

#### Sivoia QS Triathlon models

- Pico wireless control
- 4-Group RF Shade Remote Control
- seeTouch RF keypads
- GRAFIK Eye QS
- RadioRA 2
- HomeWorks QS
- Caséta (Smart Bridge Pro)

<b>Job Name:</b>	<b>Model Numbers:</b>
<b>Job Number:</b>	

## System Dimensions

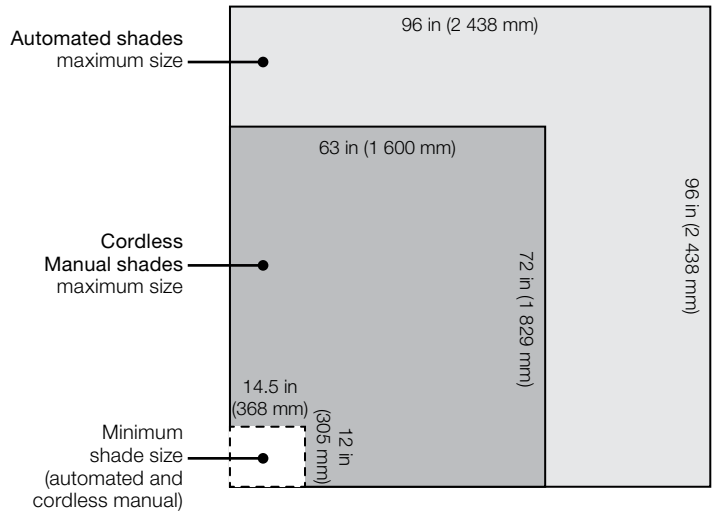
### Shade Width\*

Shade Type	Minimum	Maximum
Cordless Manual	14.5 in (368 mm)	63 in (1 600 mm)
Automated	14.5 in (368 mm)	96 in (2 438 mm)

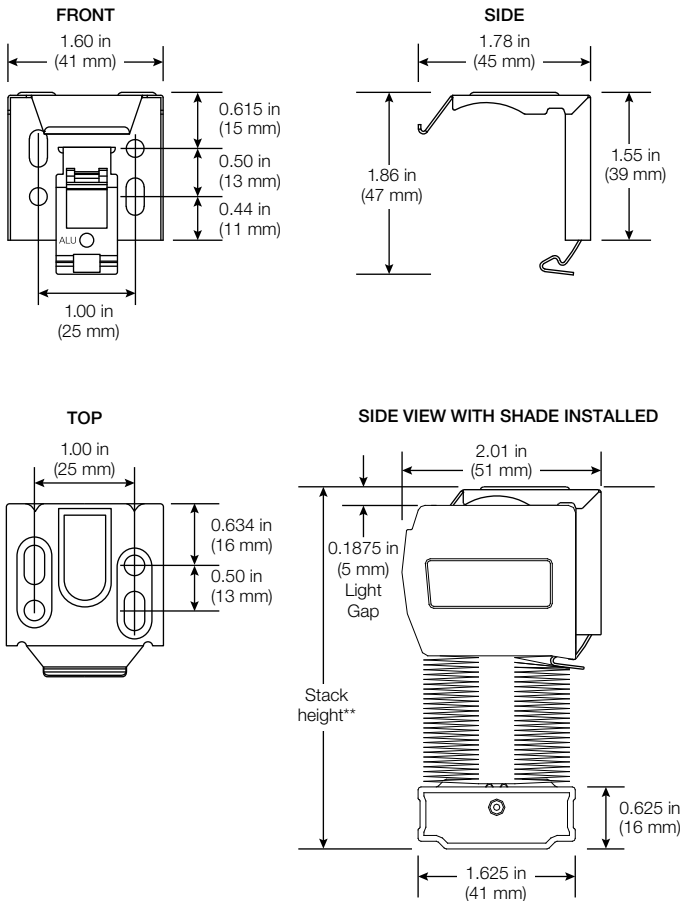
\*Fabric width = shade width minus 0.125 in (3 mm)

### Shade Height

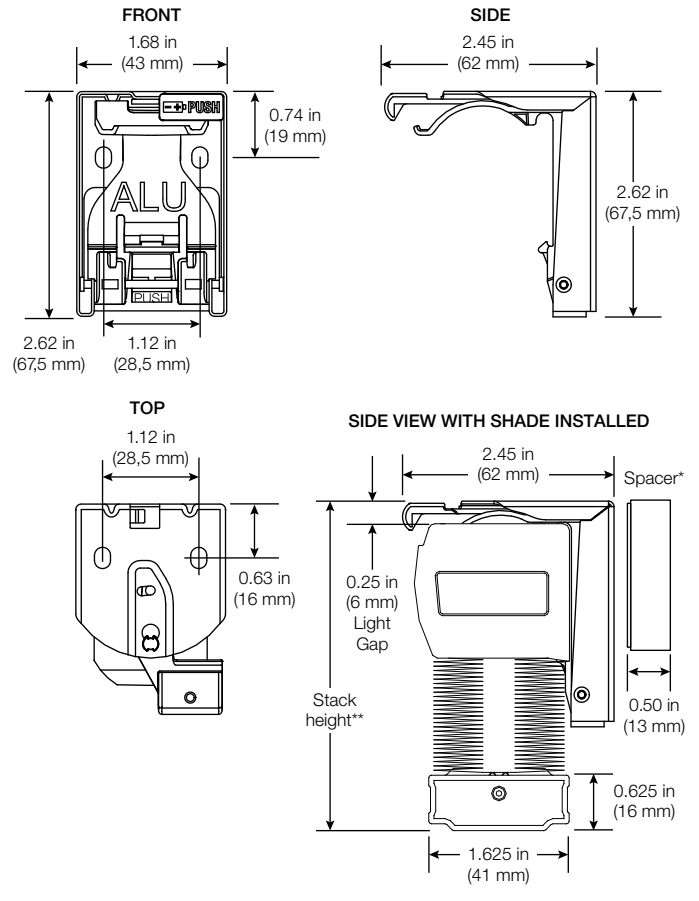
Shade Type	Minimum	Maximum
Cordless Manual	12 in (305 mm)	72 in (1 829 mm)
Automated	12 in (305 mm)	96 in (2 438 mm)



### Brackets (cordless manual shades):



### Tap 'n' Tilt Brackets (automated shades):



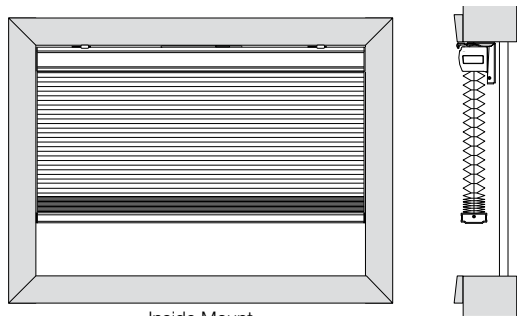
\* Spacers are included when outside-mount above/below trim is indicated on the original order, and/or the shade is equipped with an external battery holder. (See 'Mounting Options' on page 3 and 'Battery requirements by shade size and fabric' on page 4.)

\*\* Total height of the fully raised shade from the top of the bracket to the bottom of the bottom rail. For details, see [Serena Stack Guidelines.pdf](#)

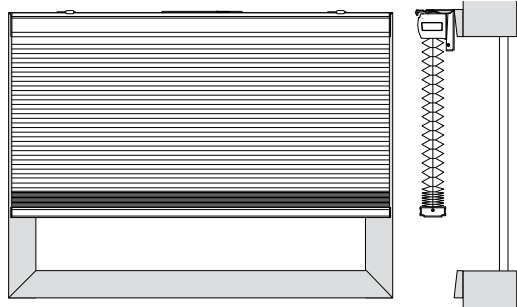
<b>Job Name:</b>	<b>Model Numbers:</b>
<b>Job Number:</b>	

### Mounting Options

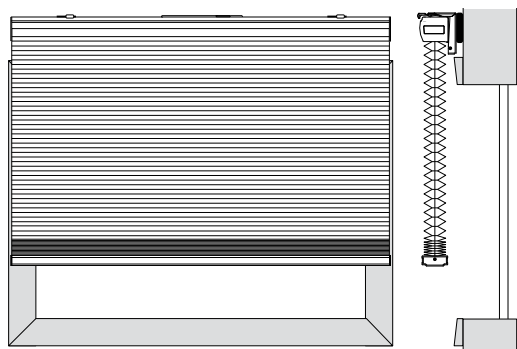
Depending on the window dimensions, the shade can be mounted inside the window frame or outside the window frame.



Inside Mount



Outside Mount on Trim



Outside Mount Above Trim (includes spacers)

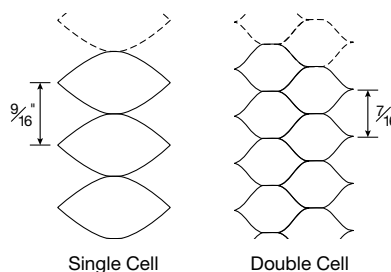
### Fabric Options

Lutron Insulating Honeycomb Shades are available in a wide variety of types:

Collection(s)	R Value
<b>Light-Filtering Single-Cell</b>	
Cyprus*	3.5
Monaco, Rio	3.5
Sedona	0.7
Napa	3.4
Prague	0.9
<b>Light-Filtering Double-Cell</b>	
Monaco, Rio	3.6
<b>Room-Darkening</b>	
Cyprus*	4.3
Monaco, Rio	4.3

\* Available with fire rated option

### Honeycomb Options (profile view)



Cell height shown is for general reference only. Cell-to-cell distance will vary along the height of an actual shade.

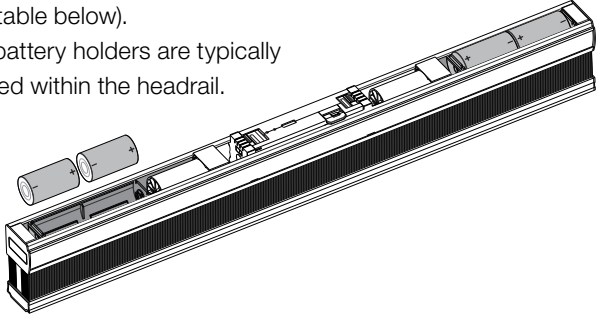
### Bracket count by shade size and fabric

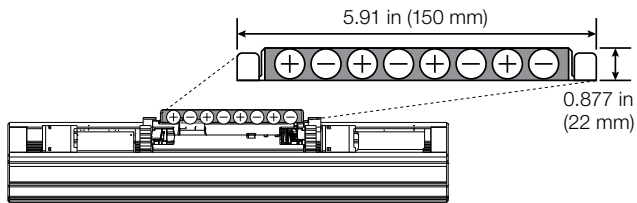
Shade Width/Fabric Option		Brackets Required
Cyprus • Monaco • Sedona	Rio • Napa • Prague	
14 1/2 in - 45 in (368 mm - 1 143 mm)	14 1/2 in - 48 in (368 mm - 1 219 mm)	2
45 1/8 in - 69 in (1 146 mm - 1 753 mm)	48 1/8 in - 72 in (1 222 mm - 1 829 mm)	3
69 1/8 in - 96 in (1 756 mm - 2 438 mm)	72 1/8 in - 96 in (1 832 mm - 2 438 mm)	4

Job Name:	Model Numbers:
Job Number:	

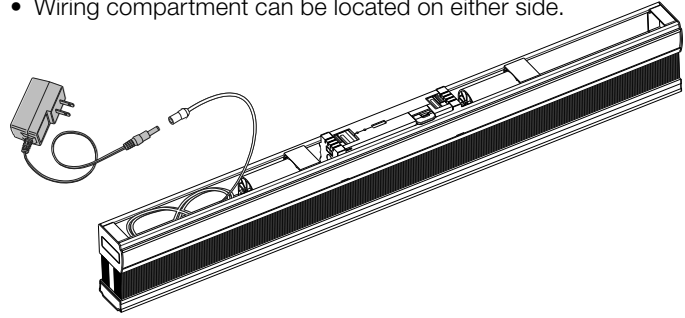



## Power Options

### Battery power

- Batteries are not included.
  - Type and quantity vary with shade size and fabric choice (see table below).
  - The battery holders are typically located within the headrail.
- 
- Shades that are not wide enough to include battery holders within the headrail have a battery holder located on the back of the headrail. Mounting bracket spacers are included to provide additional rear clearance.

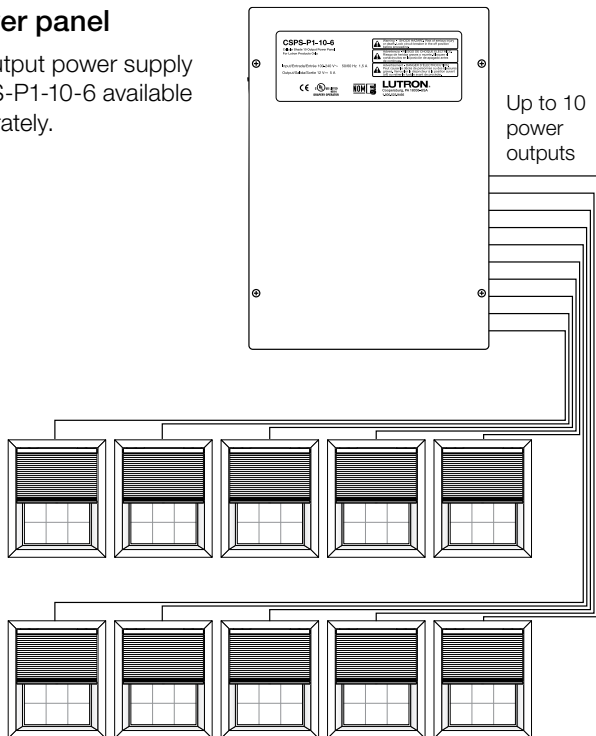


### Plug-in power supply

- Shade includes 15 ft (4572 mm) power wire
  - Wiring compartment can be located on either side.
- 
- Individual power supply CSPS-XX-1-6-WH available separately.
    - CSPS-P1-1-6-WH = 
    - CSPS-P2-1-6-WH = 
    - CSPS-P3-1-6-WH = 

### Power panel

10-output power supply CSPS-P1-10-6 available separately.



**Input Voltage:**

120-240 V~

**Max. input current:**

1.5 A

**Operating frequency:**

50/60 Hz

**Output Voltage:**

12 V<sup>DC</sup>

**Output Current:**

5 A

**ESD Protection:**

(+/-) 16 kV

Secondary wiring must be of type CL2, CL2P, CL2R, CL2X or other cable with equivalent or better electrical, mechanical, and flammability ratings in accordance with local and national electric code.

<b>Job Name:</b>	<b>Model Numbers:</b>
<b>Job Number:</b>	