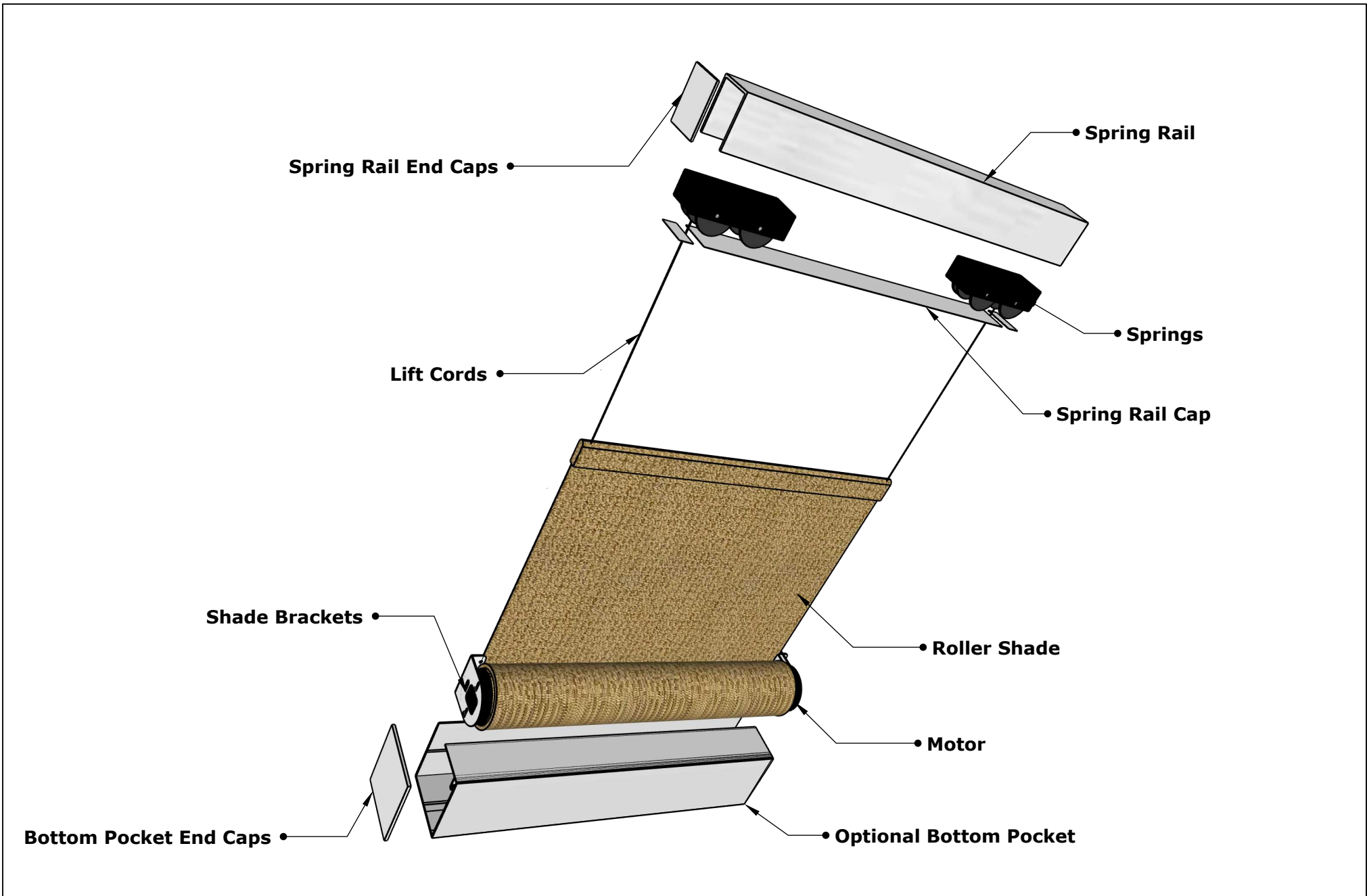


Frameless Skylight
Roller Shade



REVISIONS		
	MM/DD/YY	REMARKS
1	--/--/--	...
2	--/--/--	...
3	--/--/--	...
4	--/--/--	...
5	--/--/--	...

A 01



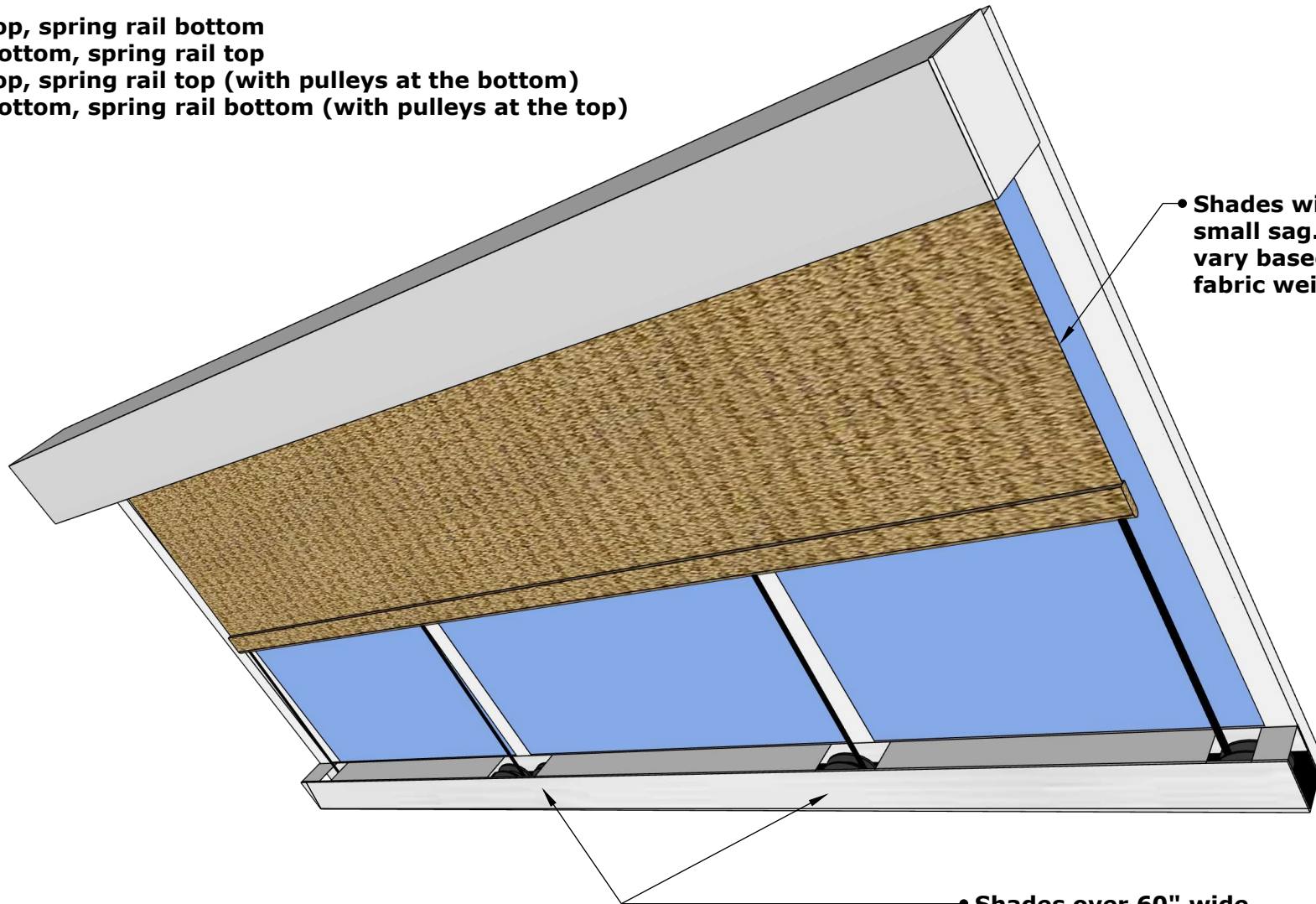
Frameless Skylight
Roller Shade



REVISIONS		
	MM/DD/YY	REMARKS
1	--/--/--	...
2	--/--/--	...
3	--/--/--	...
4	--/--/--	...
5	--/--/--	...

Optional configurations include:

- *Motor top, spring rail bottom
- *Motor bottom, spring rail top
- *Motor top, spring rail top (with pulleys at the bottom)
- *Motor bottom, spring rail bottom (with pulleys at the top)



• Shades will have a small sag. The sag will vary based on size and fabric weight.

• Shades over 60" wide will have center cords. Maximum spacing between cords is 60"

Frameless Skylight
Roller Shade



REVISIONS		
	MM/DD/YY	REMARKS
1	--/--/--	...
2	--/--/--	...
3	--/--/--	...
4	--/--/--	...
5	--/--/--	...

A 03

A