

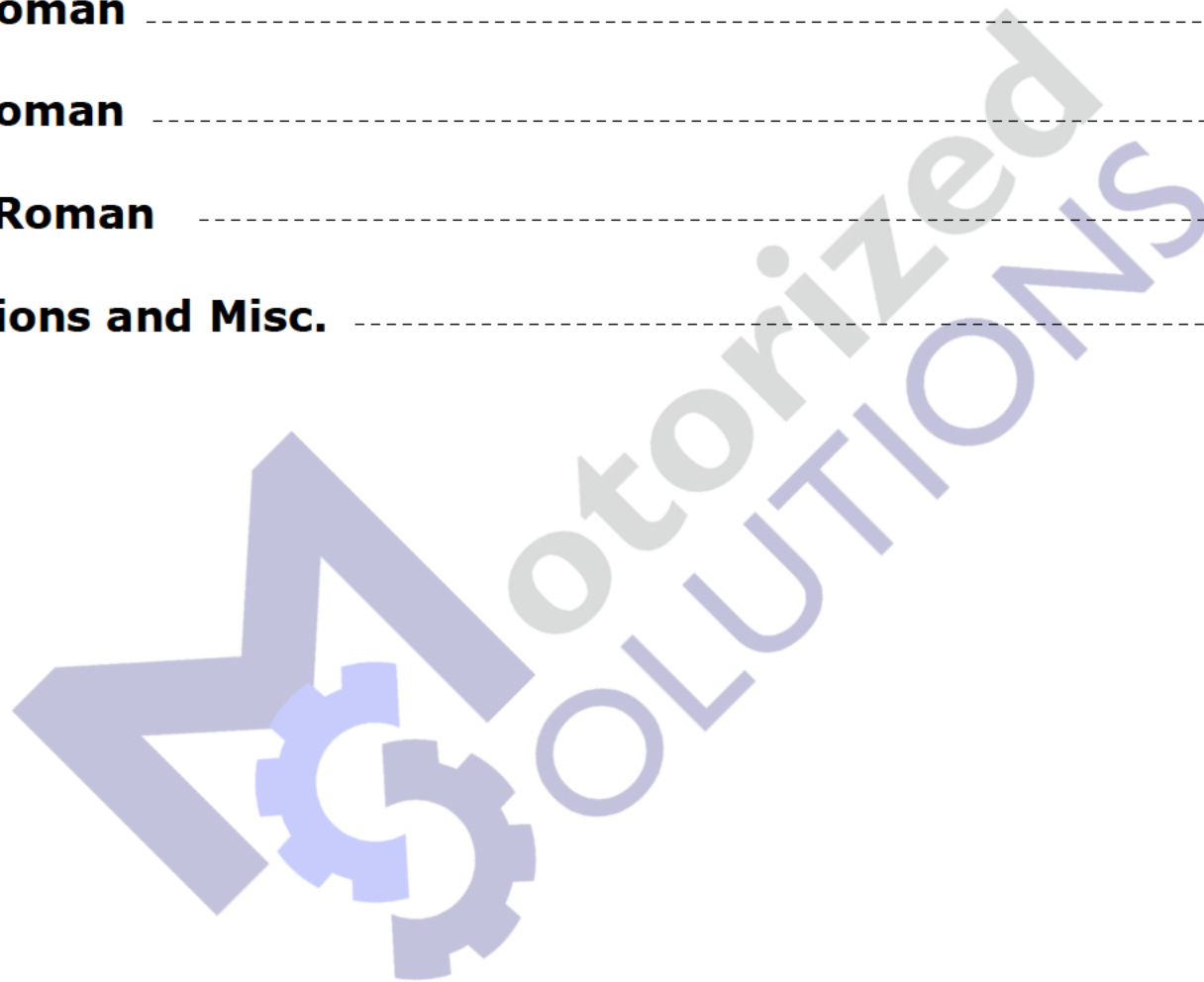
The logo for Motorized SOLUTIONS features a large blue letter 'M' on the left. Inside the lower-left curve of the 'M' is a blue gear icon. To the right of the 'M', the word 'Motorized' is written in a blue, sans-serif font, and the word 'SOLUTIONS' is written below it in a larger, bold, blue, sans-serif font. The background of the entire image is a modern bedroom with a vaulted ceiling, a four-poster bed with blue bedding, a patterned ottoman, a white armchair, a blue desk with a chair, and a large white dresser with a television mounted on the wall.

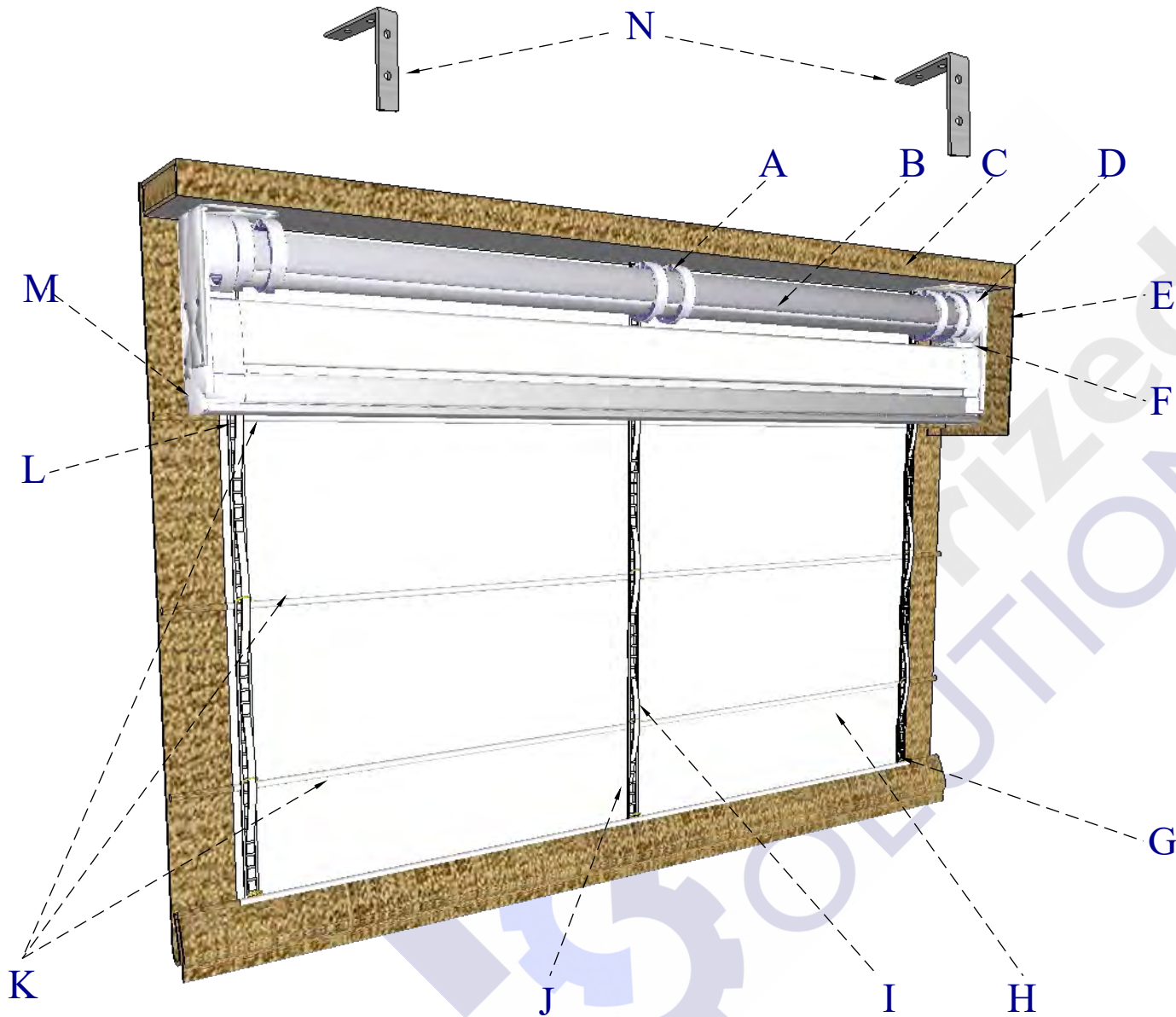
Motorized
SOLUTIONS

Roman Guide

Table of Contents

Triathlon Roman	3-5
Roller 64 Roman	6-8
Roller 100 Roman	9-11
Design Options and Misc.	12-17





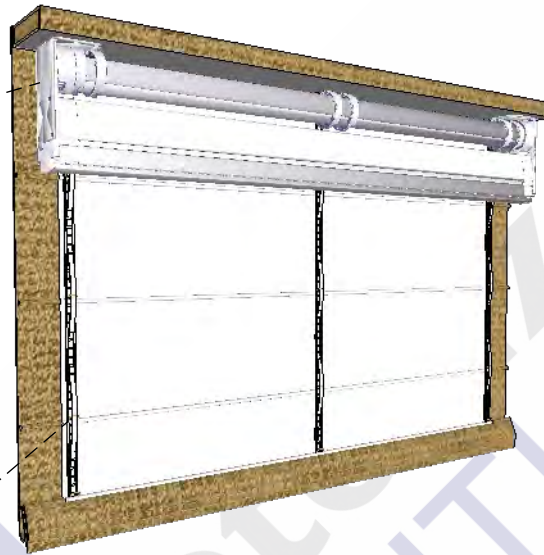
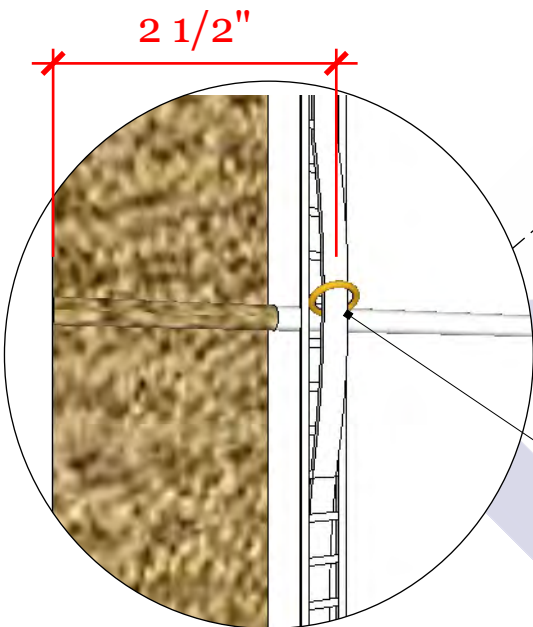
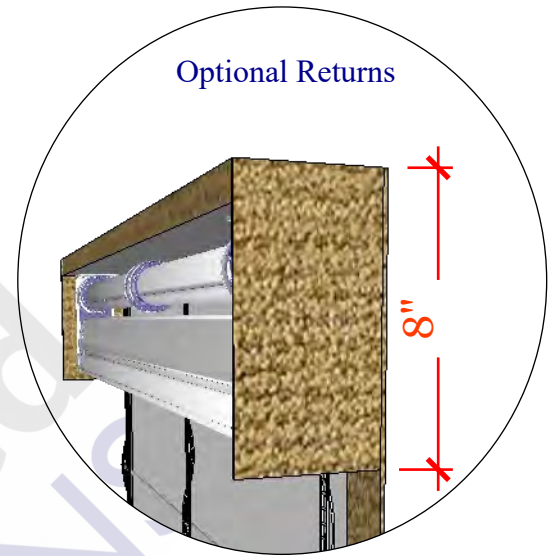
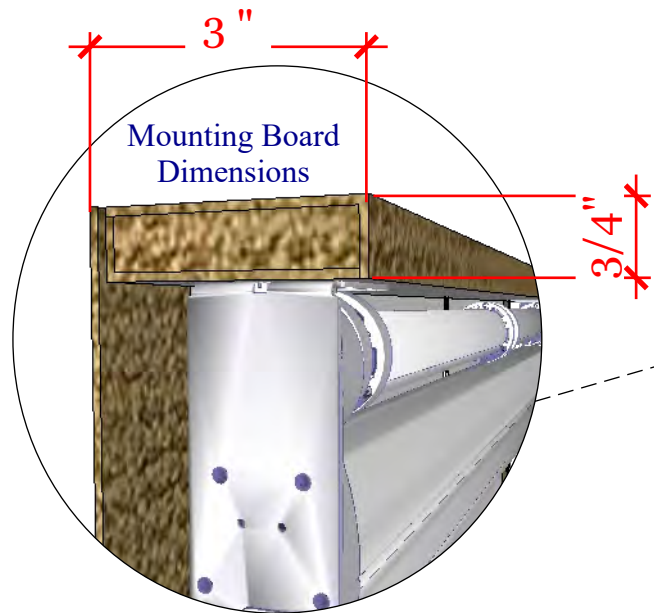
- A. Tape Reels
- B. Tube
- C. Mounting Board
- D. Motor Assembly Bracket
- E. Fabric Returns (Optional)
- F. Motor
- G. Leveling Orbs
- H. Lining
- I. Lift Tape
- J. Child Safety Shroud
- K. Ribs (Optional) - only visible from back
- L. Rings
- M. Battery Cartridge
- N. Shade Mounting Brackets

Triathlon Roman Typical
(Flat Roman Fabric Front Depicted)

Motorized
SOLUTIONS
866-446-6867

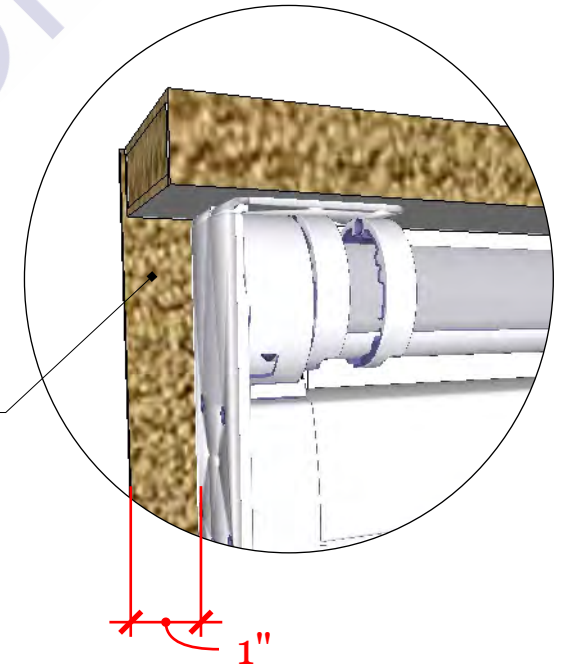
REVISIONS

	MM/DD/YY	REMARKS
1	---/---/---	...
2	---/---/---	...
3	---/---/---	...
4	---/---/---	...
5	---/---/---	...



Lutron recommends a space of 1" between the edge of the shade and beginning of the motorized assembly at each end.

The first set of rings are to be placed a minimum of 2 1/2" from each end.

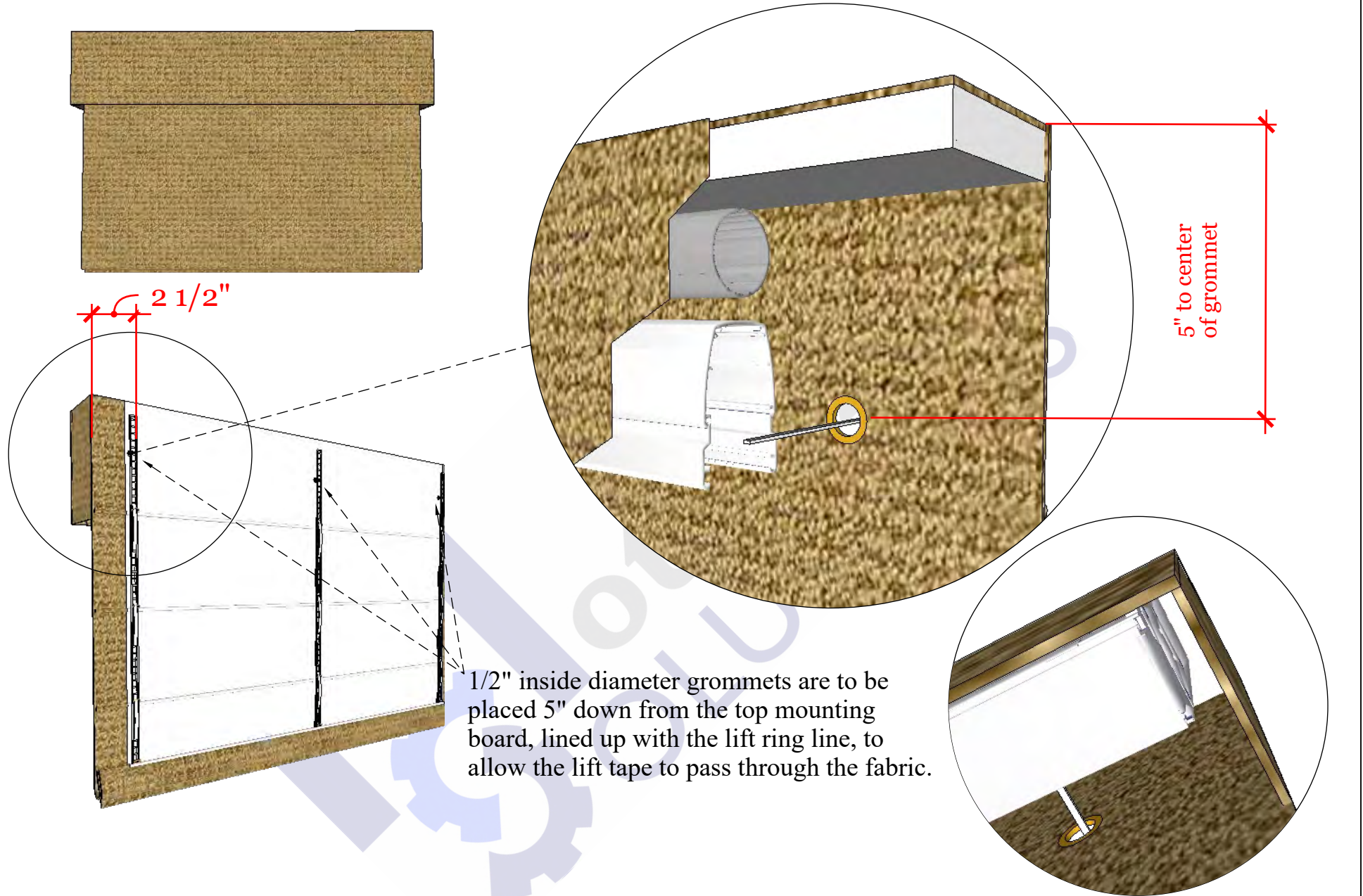


Triathlon Detail
(Flat Roman Fabric Front Depicted)

Motorized
SOLUTIONS
866-446-6867

REVISIONS

	MM/DD/YY	REMARKS
1	---/---/---	...
2	---/---/---	...
3	---/---/---	...
4	---/---/---	...
5	---/---/---	...



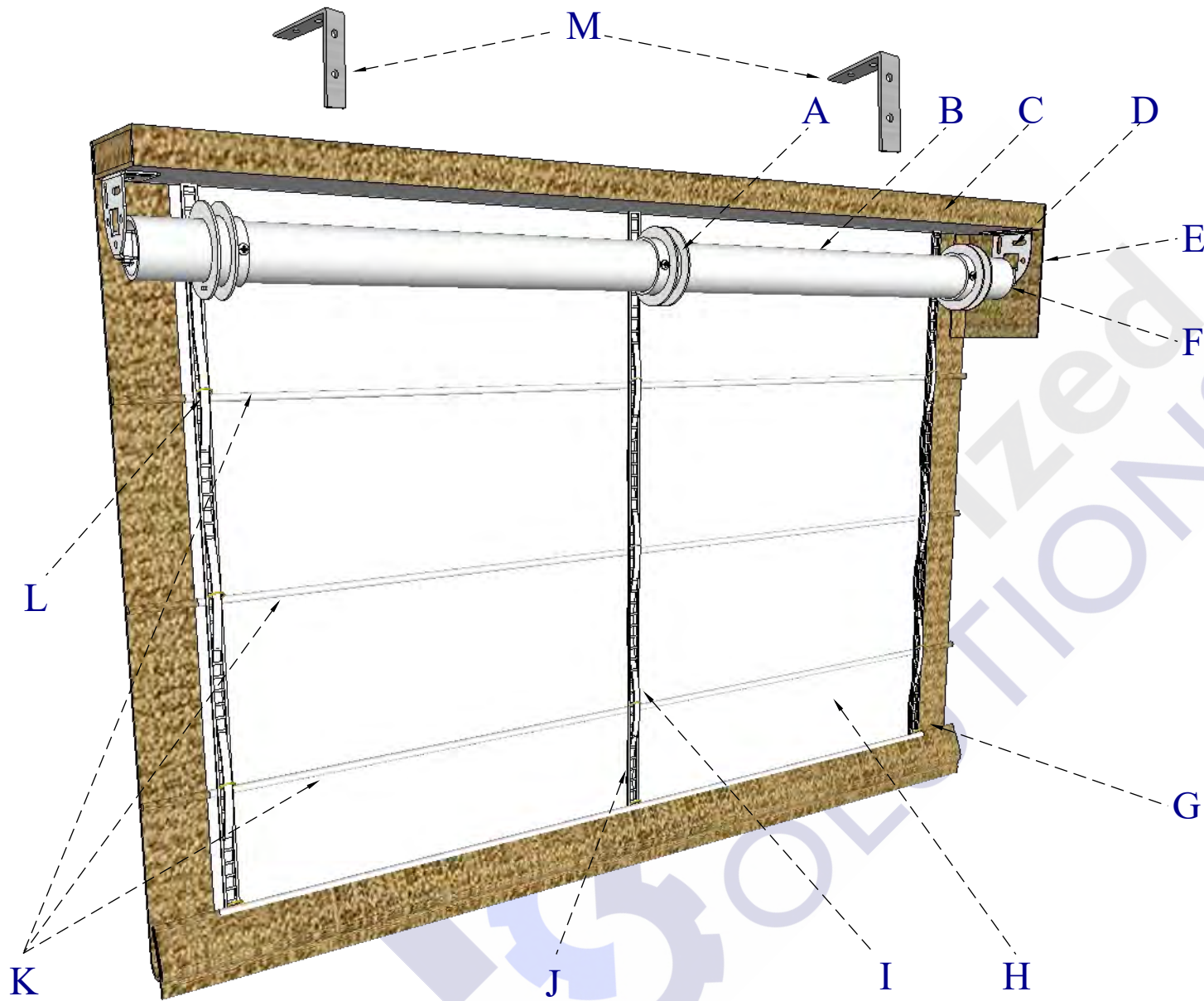
1/2" inside diameter grommets are to be placed 5" down from the top mounting board, lined up with the lift ring line, to allow the lift tape to pass through the fabric.

Triathlon Fabric Back Detail



REVISIONS

	MM/DD/YY	REMARKS
1	___/___/___	...
2	___/___/___	...
3	___/___/___	...
4	___/___/___	...
5	___/___/___	...



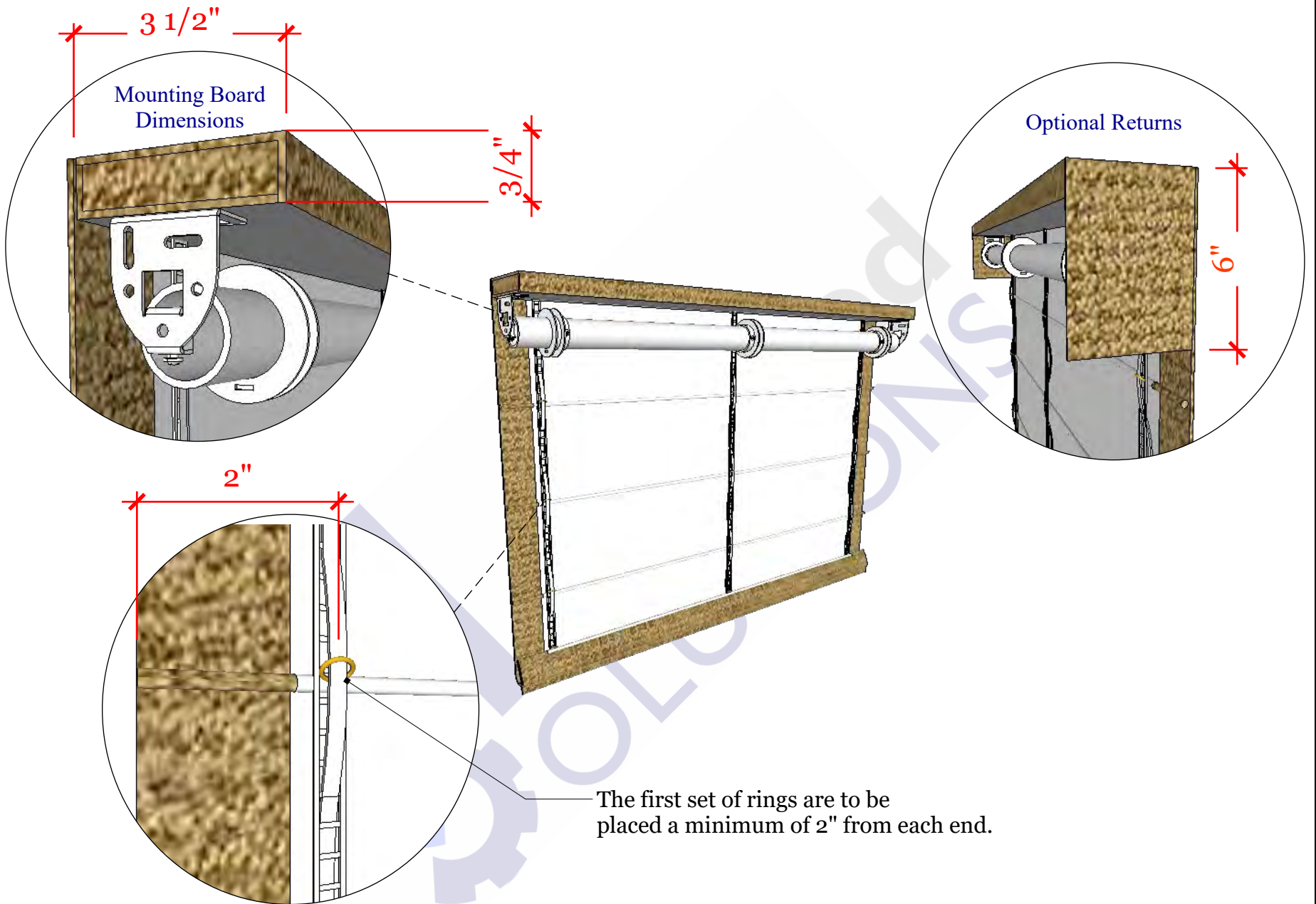
- A. Tape Reels
- B. Tube
- C. Mounting Board
- D. Motor Assembly Bracket
- E. Fabric Returns (Optional)
- F. Motor
- G. Leveling Orbs
- H. Lining
- I. Lift Tape
- J. Child Safety Shroud
- K. Ribs (Optional) - only visible from back
- L. Rings
- M. Shade Mounting Brackets

Roller 64 Roman Typical
 (Flat Roman Fabric Front Depicted)



REVISIONS

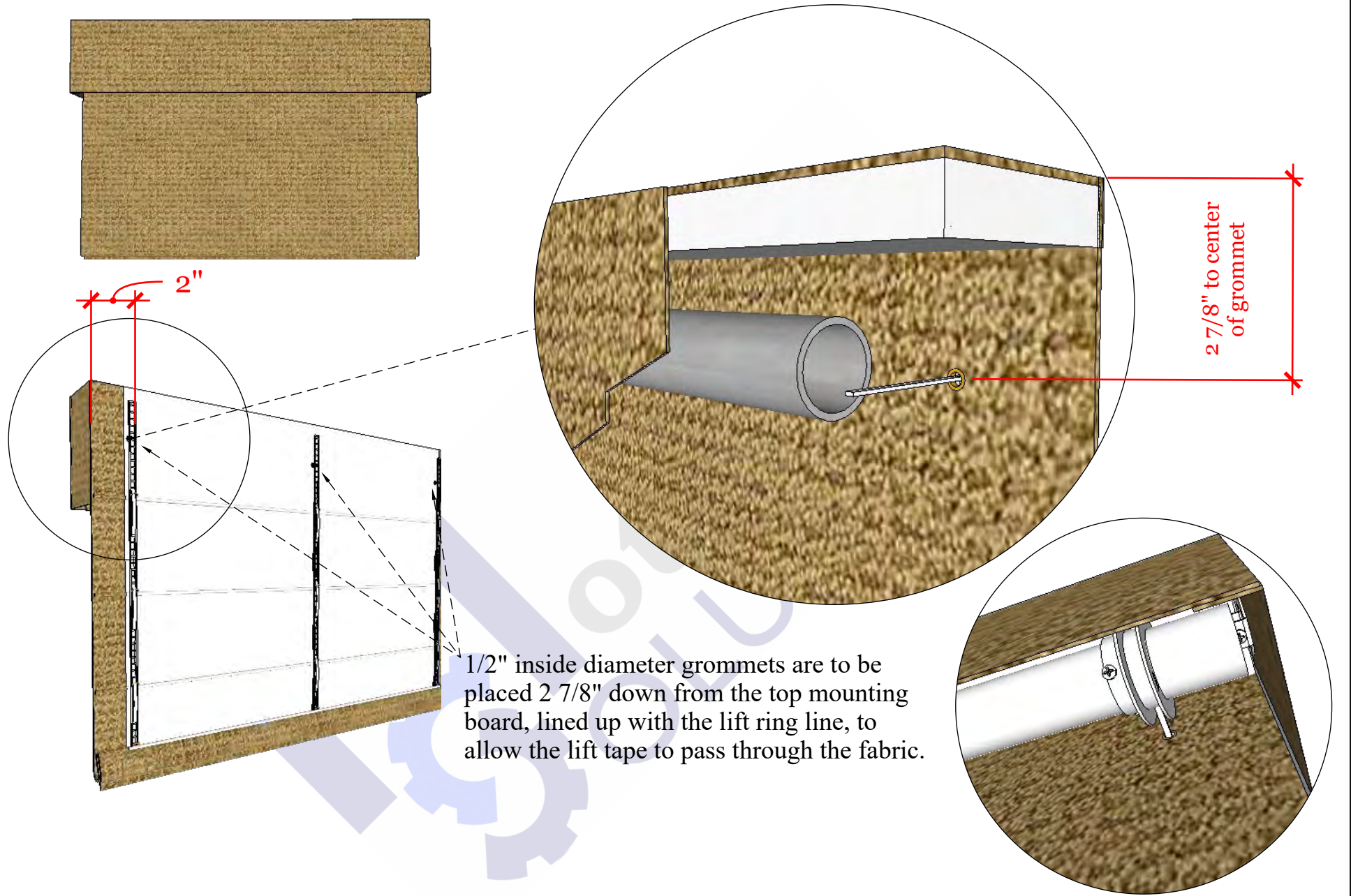
	MM/DD/YY	REMARKS
1	---/---/---	...
2	---/---/---	...
3	---/---/---	...
4	---/---/---	...
5	---/---/---	...



Roller 64 Detail
(Flat Roman Fabric Front Depicted)



REVISIONS		
	MM/DD/YY	REMARKS
1	---/---/---	...
2	---/---/---	...
3	---/---/---	...
4	---/---/---	...
5	---/---/---	...



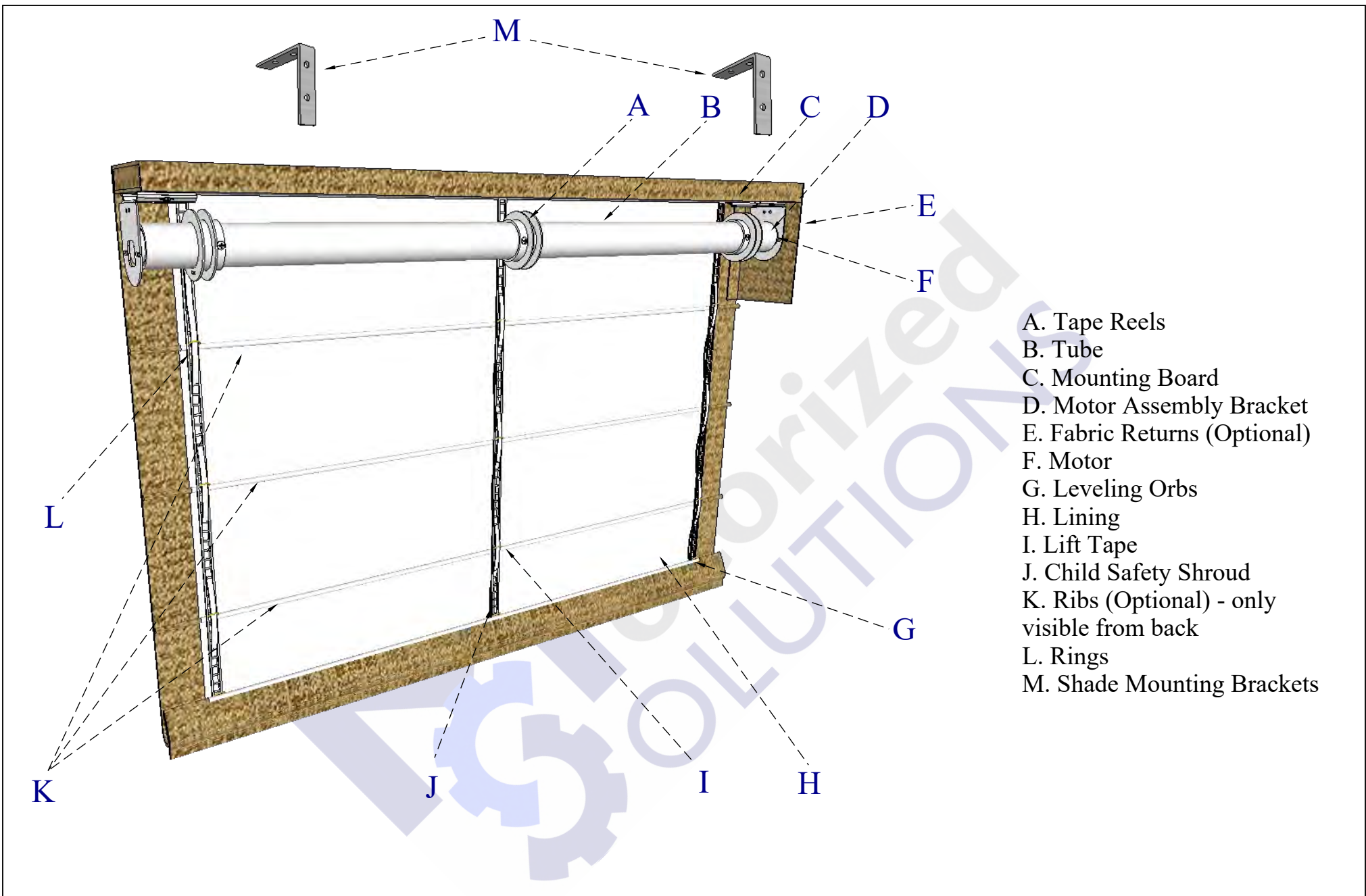
1/2" inside diameter grommets are to be placed 2 7/8" down from the top mounting board, lined up with the lift ring line, to allow the lift tape to pass through the fabric.

Roller 64 Fabric Back Detail



REVISIONS

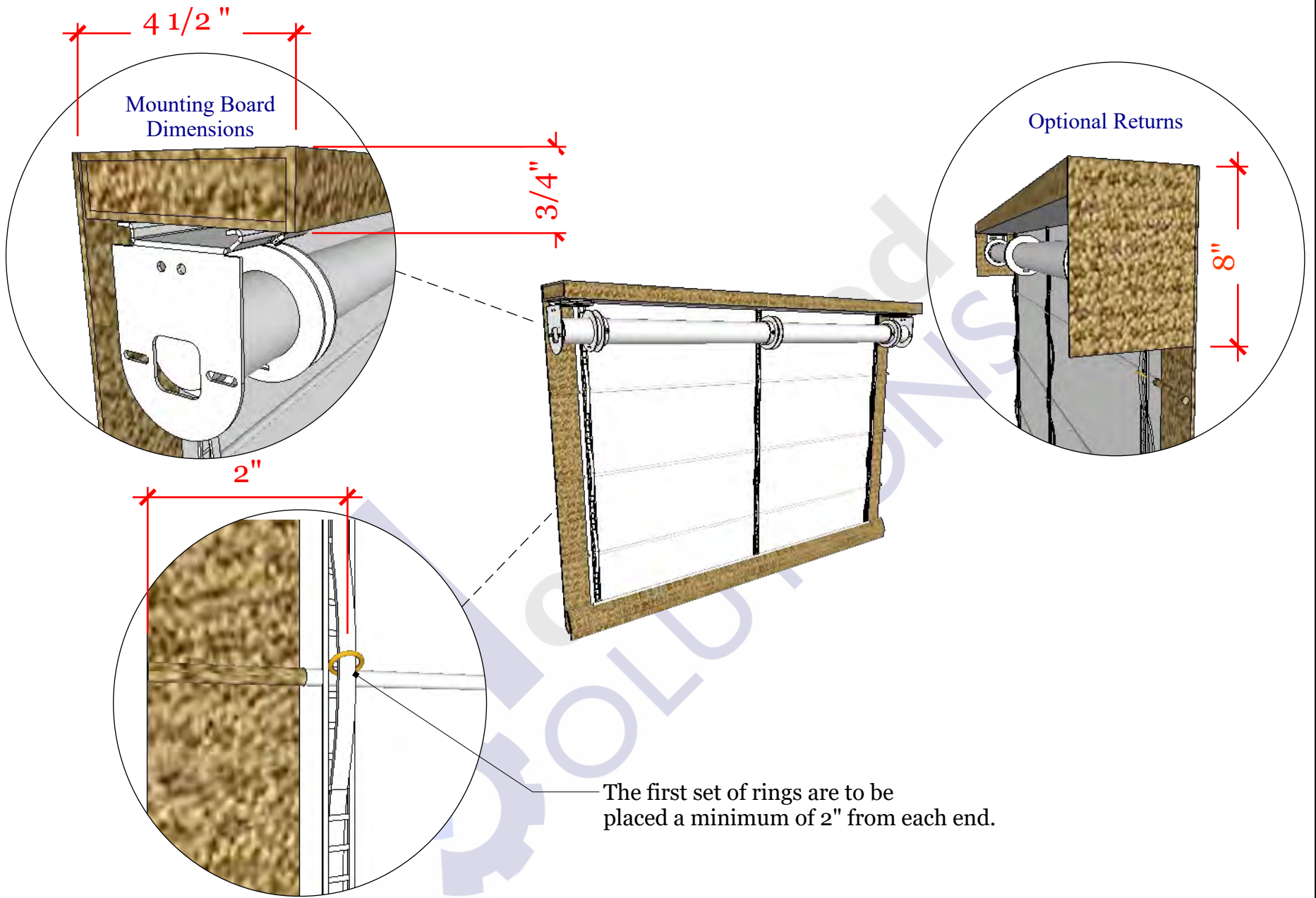
	MM/DD/YY	REMARKS
1	___/___/___	...
2	___/___/___	...
3	___/___/___	...
4	___/___/___	...
5	___/___/___	...



Roller 100 Roman Typical
 (Flat Roman Fabric Front Depicted)



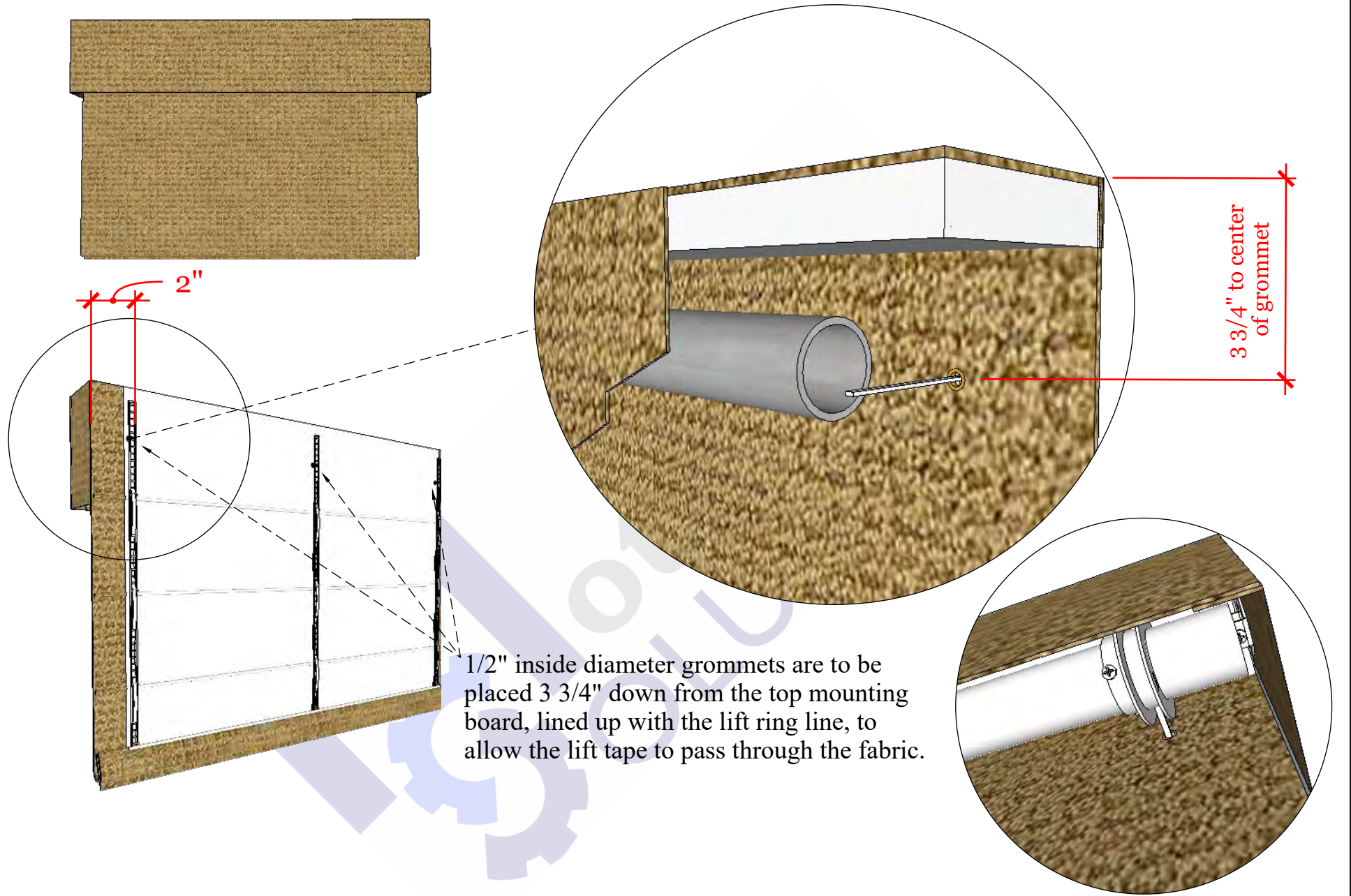
REVISIONS		
	MM/DD/YY	REMARKS
1	--/--/--	...
2	--/--/--	...
3	--/--/--	...
4	--/--/--	...
5	--/--/--	...



Roller 100 Detail
 (Flat Roman Fabric Front Depicted)



REVISIONS		
	MM/DD/YY	REMARKS
1	--/--/--	...
2	--/--/--	...
3	--/--/--	...
4	--/--/--	...
5	--/--/--	...



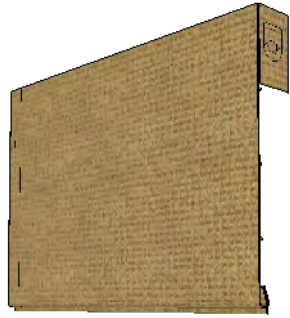
Roller 100 Fabric Back Detail



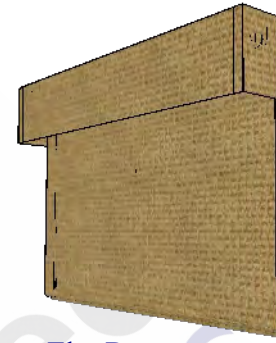
REVISIONS

	MM/DD/YY	REMARKS
1	___/___/___	...
2	___/___/___	...
3	___/___/___	...
4	___/___/___	...
5	___/___/___	...

Design Options



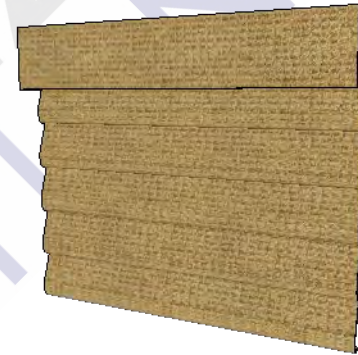
Flat Roman
With Fabric Front No Valance



Flat Roman
With Fabric Back Valance Front



Hobbled Roman
With Fabric Front No Valance



Hobbled Roman
With Fabric Back Valance Front

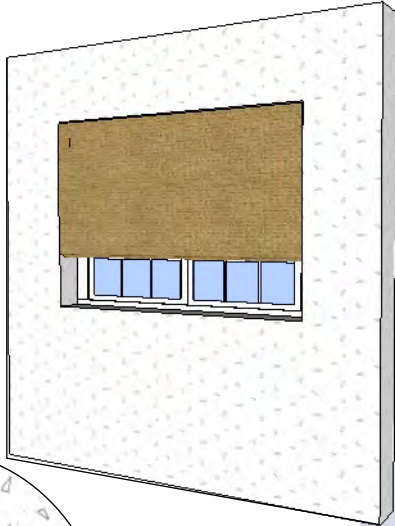
Note: Additional Roman styles are available including Austrian, Ribbed Front, and Soft Roman. Please send a picture of the Roman style you would like fabricated to our sales team for a custom quote.

Mounting Options

Inside Mount

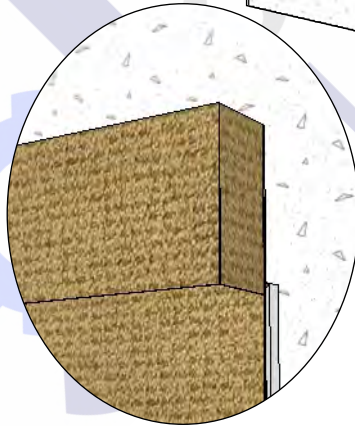
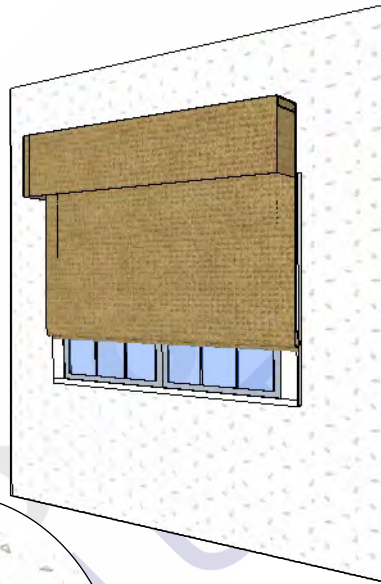
Openings with enough depth to allow the shades to fully recess.

*Note - Roman shades are manufactured the exact size ordered. DEL does NOT deduct for inside mount clearance. We suggest deducting 3/8" for inside mount



Outside Mount

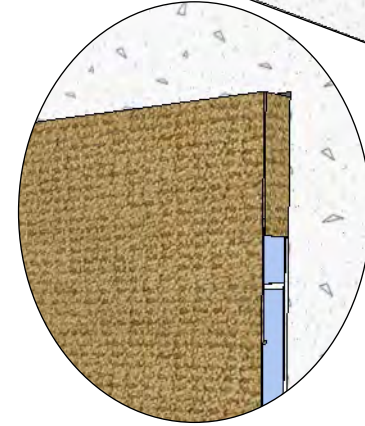
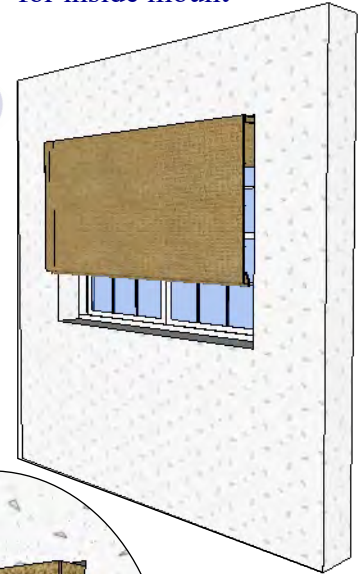
Mounted outside the frame
(on the wall or to the ceiling).



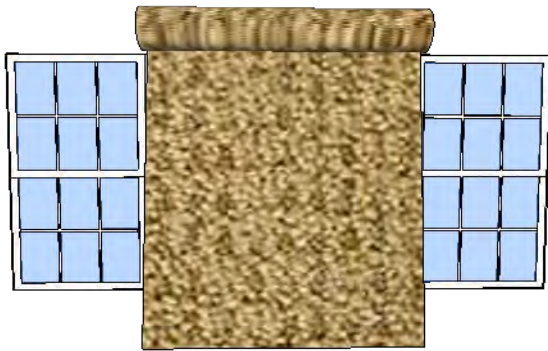
Inside/Outside Mount

Inside mount shades that do not fully recess.

*Note - Roman shades are manufactured the exact size ordered. DEL does NOT deduct for inside mount clearance. We suggest deducting 3/8" for inside mount



Seaming Options



Roman fabrics are designed and woven to be run "up the roll". If the shade needed is wider than the fabric width, vertical seams will be required.

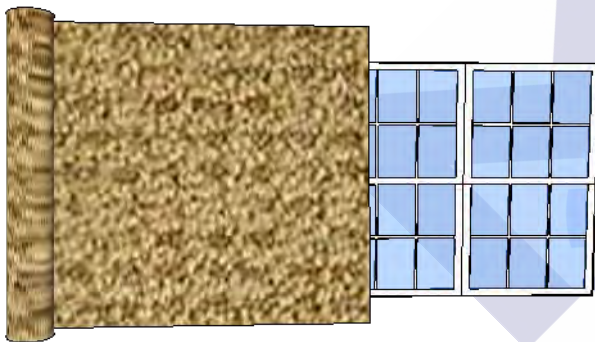
Standard Offset Seam



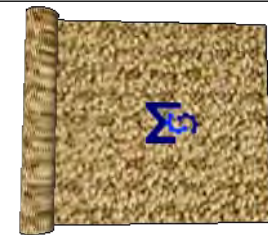
Optional Center Seam



Standard practice is to have two offset seams. A single center seam can be used as an alternative or custom seam locations can also be specified.



If your window opening is wider than the fabric width and the height is shorter than the fabric width, the fabric can be "railroaded" (run left to right).

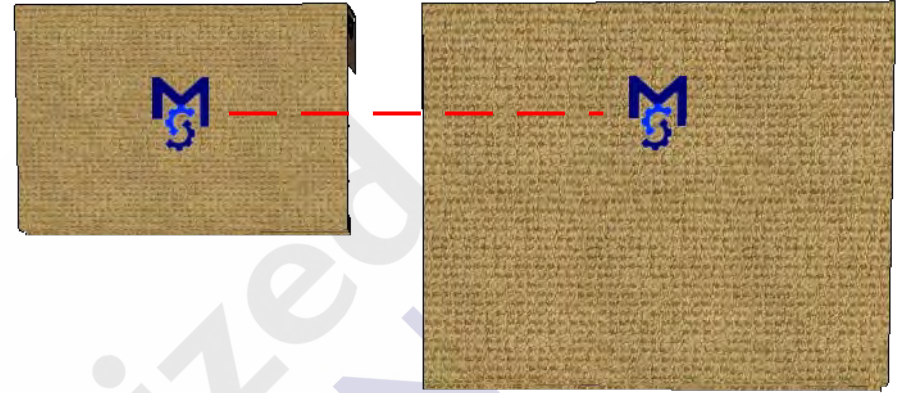


Caution - Fabrics with patterns that are defined should not be railroaded or the result will be the pattern rotated on the Roman shade.

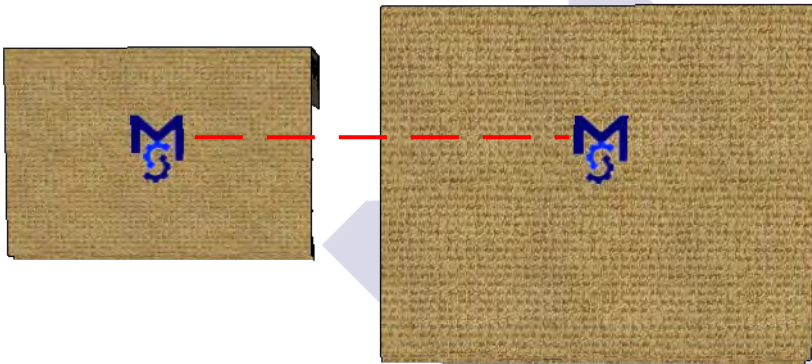
Shade Alignment Options



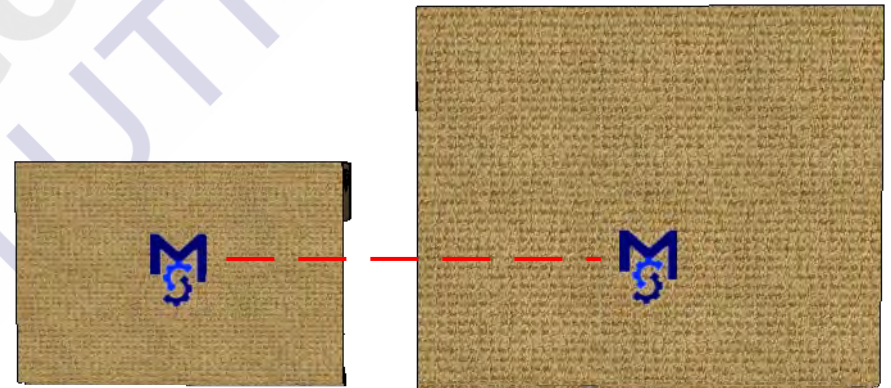
Center pattern on each shade
(shades will not match side by side)



Match shades side by side
by aligning tops.

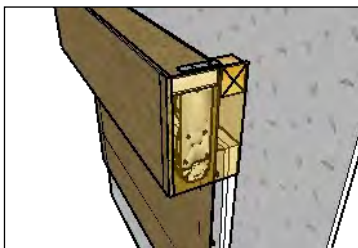


Match shades side by side
by using custom alignment dimensions.



Match shades side by side
by aligning bottoms.

Additional Options



Returns

Standard returns will be the depth of the mounting board on outside mount and inside/outside mount shades. Custom depths can be ordered. Custom depth returns are used when the shade cannot be mounted flush with the back wall.



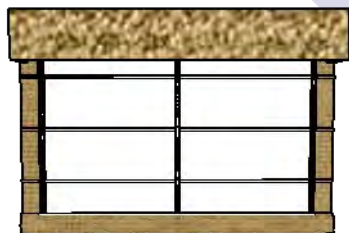
Banding

A decorative border which can be on the sides, bottom, and or top.



Rear Valance

A rear valance is optional on fabric front shades. They are sometimes used if the back of the shade is visible.



Lining

White, cream, self-lined and custom colors are available in standard and flame resistant linings.

Opacity options include sheer, light filtering and blackout

Innovations IN MOTORIZED SOLUTIONS



Motorized Solutions®
Toll Free: 866.446.6867
motorizedsolutions.com
info@motorizedsolutions.com