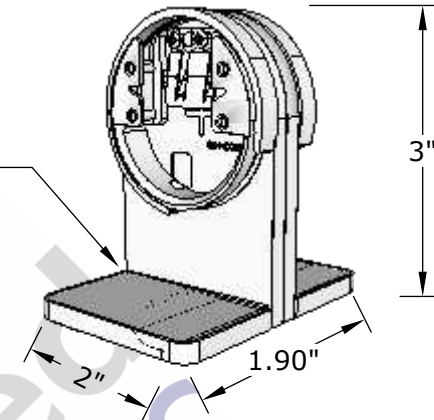


• Optional Palladiom Bottom Bar

Wall or Ceiling Center Bracket

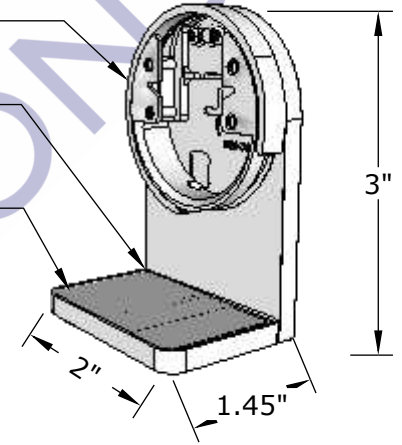


(Extended Bracket Option 3.25")

Ring To Conceal Shade Interface

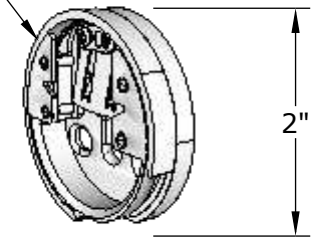
Wall or Ceiling End Bracket

Foot Cover To Conceal Screw Anchors



(Extended Bracket Option 3.25")

Jamb Bracket



Wired Palladiom Shades



REVISIONS

| | MM/DD/YY | REMARKS |
|---|-------------|---------|
| 1 | ___/___/___ | ... |
| 2 | ___/___/___ | ... |
| 3 | ___/___/___ | ... |
| 4 | ___/___/___ | ... |
| 5 | ___/___/___ | ... |