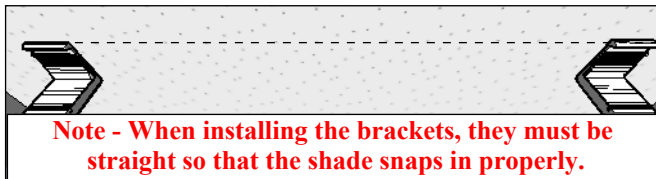
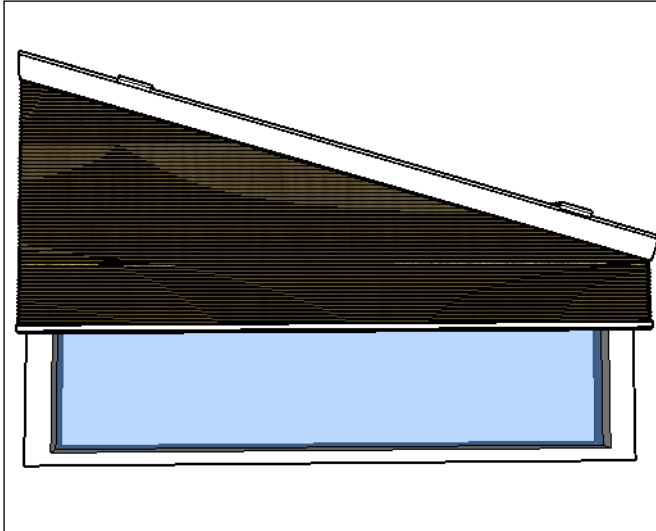


# Motorized Angled Honeycomb Shade Instructions

Congratulations on your purchase of a specialty shade from DEL Motorized Solutions.  
If you have any questions, please call technical support at 1-866-446-6867  
or email us at [info@motorizedsolutions.com](mailto:info@motorizedsolutions.com)



## Important Notes - Please Read Before Installing



### CAUTION: RISK OF FALLING OBJECTS

Securely install the shade system per the mounting instructions. Failure to do so could result in minor or moderate injury.



### WARNING: SHOCK HAZARD

Can cause serious injury or death. Turn off power at the main service panel before connecting or servicing a shade with a wired power supply.



Shade brackets and hardware are to be anchored into wood blocking. If wood blocking is not available, you must use appropriate fasteners (not included) to support the weight of the system and load.



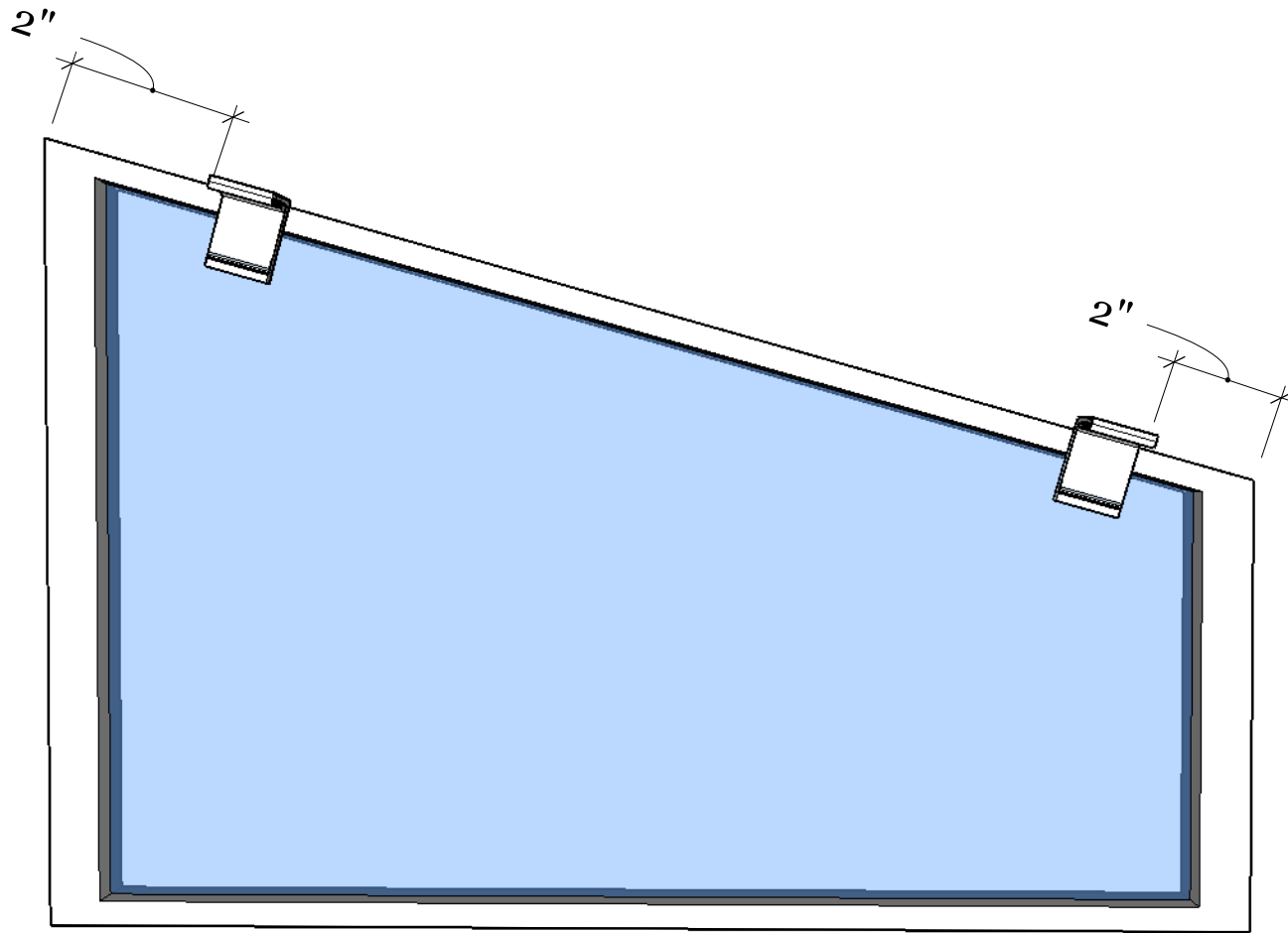
Pre-drill all holes with the appropriate size bit.

### TOOLS REQUIRED

Pencil, Tape Measure, Powered Screwdriver / Drill, Level, 1/4 hex head driver, #2 Phillips screwdriver, wire cutter/stripper, drill bits.

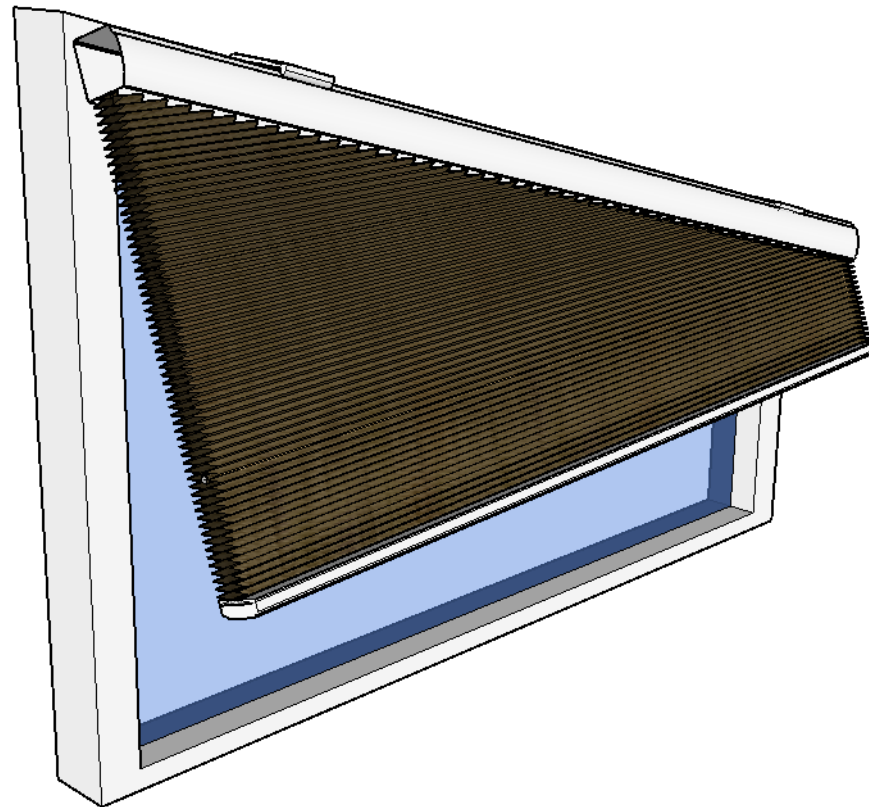
## Step 1 - Installing the brackets

**Install the brackets using anchors strong enough to support the weight of the shade.  
Center brackets are provided and should be used on wide shades.**



## Step 2 - Installing the shade

**Tilt the shade forward to engage it in the brackets**

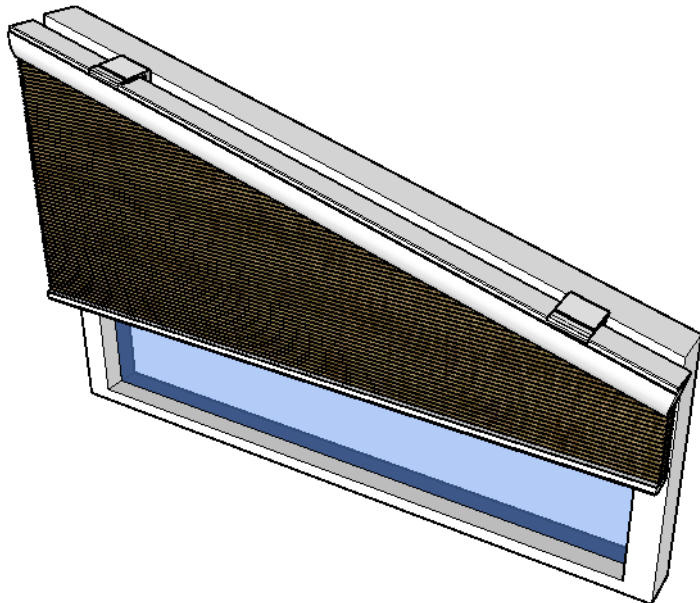


## Step 3 - Final Assembly

The bracket style will vary depending on the model of shade.

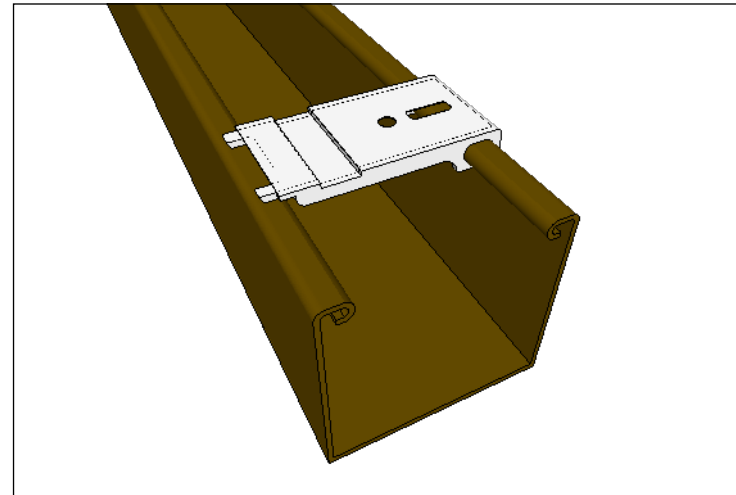
### Standard Headrail

Swivel the shade back towards the glass to lock it in place.



### Boxed Headrail

Push the shade towards the glass to lock it in place.



Proceed to programming. A link to programming guides is provided at the last page of this instruction manual.

# Programming Guides

Please scan the QR code or click the link below to be forwarded to the programming guides for instructions on how to set the upper and lower limits, assigning controls, etc.



Use the QR code above to access the instruction guide from a smart device.

[Click Here](#)

Use the link above to access the instruction guide from an electronic device.