

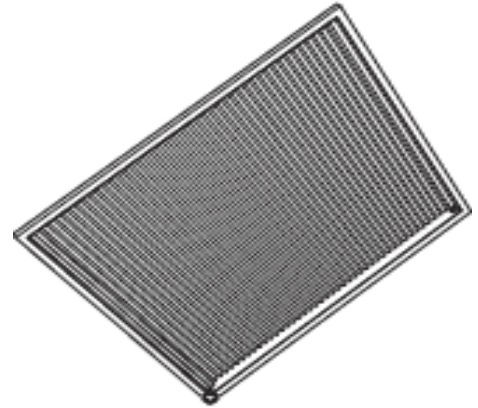


DEL MOTORIZED SOLUTIONS

(866) 44MOTOR - (215) 639.3880

WWW.MOTORIZEDSOLUTIONS.COM

Skylight Cellular Shades



Read all installation instructions before you begin!

- Make sure that you have all tools and hardware needed for installation.
- Check the installation surface (wall, ceiling, or window frame) to ensure that you have suitable fasteners and tools for the material.
- Double-check the headrail and shade for proper width and length. If you are installing several sets of shades, be sure to match them with the appropriate skylight.
- Check the parts list shipped with the product to confirm that you have the correct number of brackets.

DO NOT OPERATED THE SKYLIGHT UNTILL FULLY MOUNTED OR DAMAGE CAN OCCUR.

Tools you may need (not included)

The tools you will need for installing your shade will vary, depending on the installation surface, and mounting bracket type. Tools typically used for installation include:

Drill with Bits
Spirit Level
Flat-blade or Phillips Screwdriver
Tape Measure
Screws
Pencil
Drywall Anchors
Safety glasses

Care and cleaning

- Like any piece of fine furniture, your shade should be dusted regularly. Use a brush-type vacuum attachment or feather duster for dusting; stroke lightly over the shade.
- Avoid contact with window cleaning products.
- Do not immerse shade in water.

Showroom:
2075 Byberry Road
The Atrium, Suite 108
Bensalem, PA 19020

Factory:
111 Buck Road
Unit #900
Huntingdon Valley, PA 19006



DEL MOTORIZED SOLUTIONS

(866) 44MOTOR - (215) 639.3880

WWW.MOTORIZEDSOLUTIONS.COM

Step 1. Mounting brackets

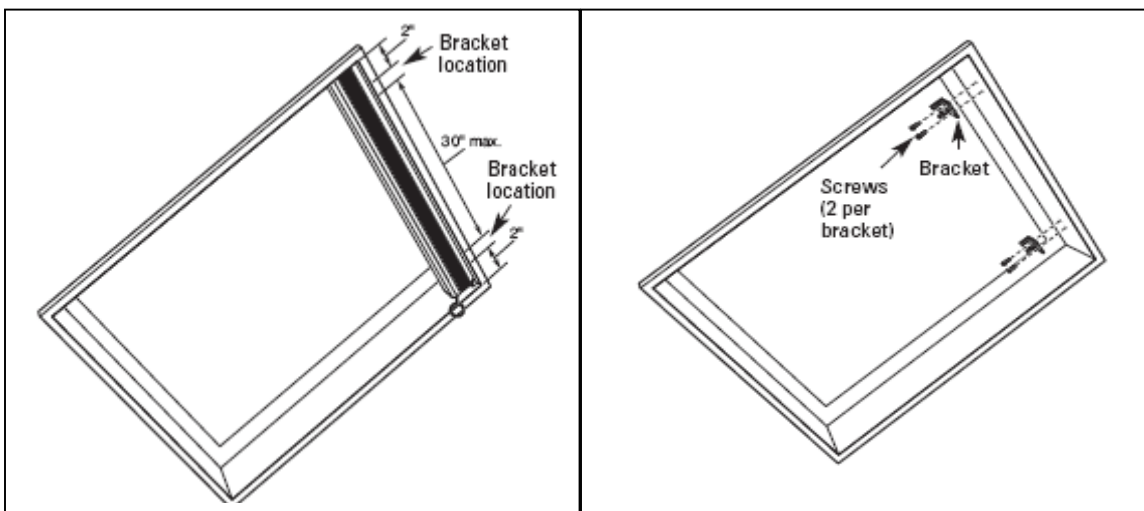
- Using pencil marks as a guide, start the screw hole by pre-drilling a 1/16" pilot hole (wood and metal mounting surfaces only). The brackets should be located 2" from the edge (center bracket must be used if span between bracket exceeds 30"). Brackets should be mounted a minimum of 3" away from glass.
- Holding bracket in place, secure with screws, two screws per bracket.
- Repeat for each bracket. Repeat for bottom brackets
- (Caution: Use appropriate brackets for top and bottom rails as labeled)
- Use a level to confirm brackets are level.



Top Bracket



Bottom Bracket



Step 2. Attach the headrail to the brackets

- Do NOT remove the rubber bands on the shade at this time.
- Hook the top lip of the headrail on the mounting bracket.
- While pushing back against the bracket, rotate the front of the headrail back to engage the rear tab of the mounting bracket. The shade will easily snap onto the bracket.
- Remove banding from the shade.



Showroom:
2075 Byberry Road
The Atrium, Suite 108
Bensalem, PA 19020

Factory:
111 Buck Road
Unit #900
Huntingdon Valley, PA 19006



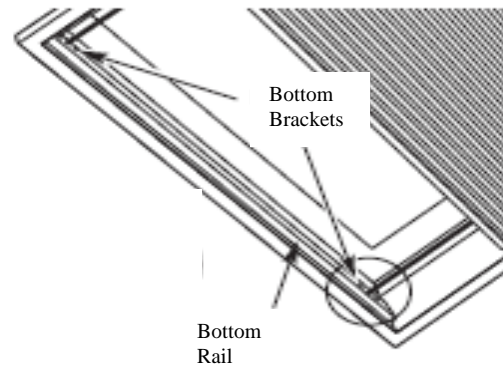
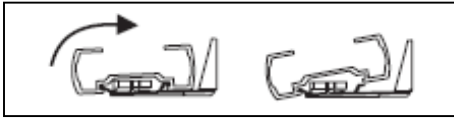
DEL MOTORIZED SOLUTIONS

(866) 44MOTOR - (215) 639.3880

WWW.MOTORIZEDSOLUTIONS.COM

Step 3. Attach bottom rail to brackets

- Unroll the bottom rail until the guide wires and cords are fully extended. Insert rail into bottom brackets

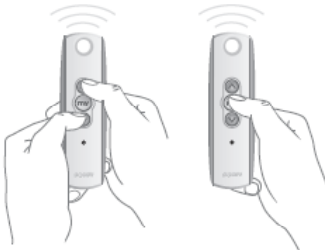


Step 4. Adjust guide wire tension



IMPORTANT: Install one tension support bracket for each support cable. The tension bracket is to be located within the 3" space between the bottom rail and the glass. The guide wires must be taut without putting excessive pull on the headrail. Tie the support cord to the tension bracket and remove excess cord.

Step 5. Programming



TO ADJUST LIMITS

To change the lower limit: Move the shade to its current lower limit position and let it stop. Press the ▲ and ▼ buttons simultaneously until the shade jogs, then release. Adjust to a new lower limit position. Press the Ⓜ button until the shade jogs, then release. Check new limit.

To change the upper limit: Move the shade to its current upper limit position and let it stop. Press the ▲ and ▼ buttons simultaneously until the shade jogs, then release. Adjust to a new upper limit position. Press the Ⓜ button until the shade jogs, then release. Check new limit.



TO ADD A REMOTE/CHANNEL OR SUN AND WIND SENSOR

First press the programming button on the back of the already programmed remote until the motor jogs. Then press the programming button on the remote or sun/wind sensor that you would like to add until the motor jogs. Check it.

Helpful Tips

Adjusting Tension and Squareness

If the shade does not operate properly, the cord tension may need to be adjusted.

- **Center rail is difficult to move** – There is too much tension on the cords. To reduce tension increase the lower limit on the shade (see programming).
- **The shade does not move squarely** – The tension on the cords is not equal from left to right. To equalize the cord tension, loosen or tighten the turnbuckle located under the moving rail. Once you are satisfied with the shade tension, cut the excess cord below the knot and hide the cord.

Showroom:
2075 Byberry Road
The Atrium, Suite 108
Bensalem, PA 19020

Factory:
111 Buck Road
Unit #900
Huntingdon Valley, PA 19006