



DEL MOTORIZED SOLUTIONS

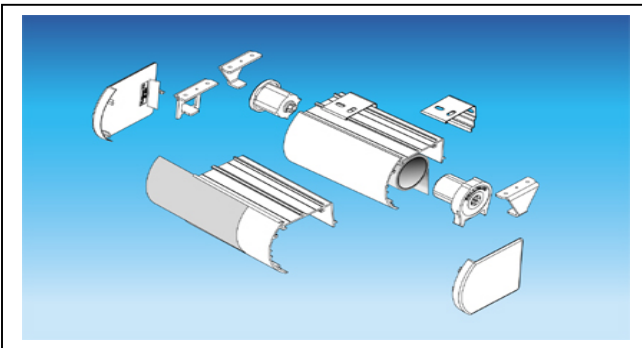
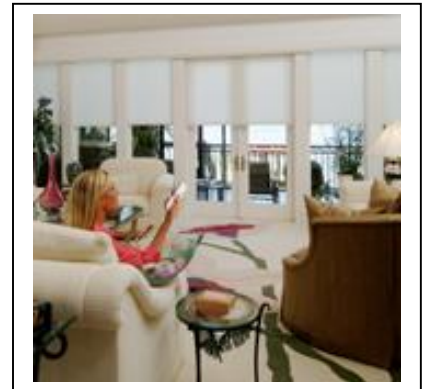
(866) 44MOTOR - (215) 639.3880

WWW.MOTORIZEDSOLUTIONS.COM

Battery Operated Roller Shades

System Facts:

- High quality patent-protected design
- Top of the line motor, capable of lifting shadings up to 15 pounds
- Whisper quiet operation
- Virtually maintenance free
- Fully enclosed within the headrail
- Installs with standard installation hardware



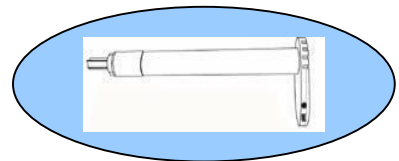
Remote Control

- Multi button remote control - operates up to 50 ft. away
- Flashing light indicator - "points" the remote towards shading
- Programs shade position - up to 6 preset positions
- Operates unlimited number of shading without changing channels
- Not affected by halogen or fluorescent lighting, minimally affected by bright sunlight
- Operates with 3 AA alkaline batteries (lithium not recommended for remote control)

Accessories

- Remote Control - available in off white
- 10" Satellite Eyes - extends receiving eye for cornice or top treatment applications
- Optional Battery Wand - preloaded with 6 AA lithium batteries. Comes with headrail or wall mount installation clips.
- Extended Life Battery Wand - preloaded with 6 AA lithium batteries. Attaches to Optional Battery Wand for extended life.
- Satellite Battery Pack with 48" or 96" wire lengths

5 Year Warranty



System Components

- Green Light Indicator - shows motor has received signal
- Electronic Limit Stops - allows up to 6 different position settings
- Internal Brake - holds shading in place
- 9 Volt System
- Reversible Tear Drop - allows left or right side installation