

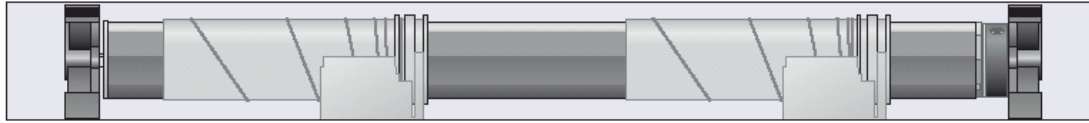


# DEL MOTORIZED SOLUTIONS

(866) 44MOTOR - (215) 639.3880

WWW.MOTORIZEDSOLUTIONS.COM

## Motorized Blind Tilt and Lift System



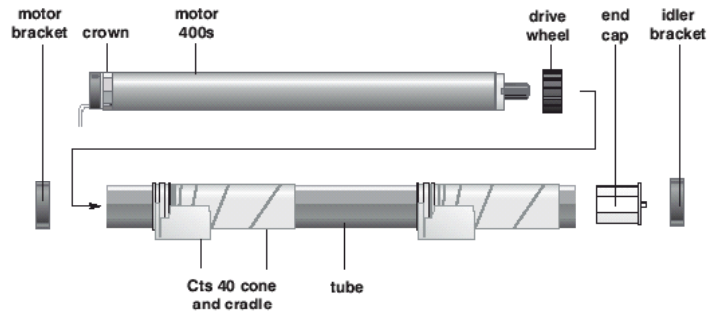
### COMPONENTS

- Motor 400's (404 S2, 404 R2, 408 R2, 401 F2)
- Octagonal Crown and Drive Kit (# 6061289)
- Motor/Idler Brackets x (2) (#6080251)
- Tube 40mm Octagonal (# 6050521)
- End Cap 40mm Octagonal (# 6090186)
- CTS 40 Cone and Cradle Kit (#6180391)

#### RECOMMENDED HEADRAIL:

57mm x 51mm

Hunter Douglas, Perma Turnills, Graber etc...



### TECHNICAL SPECIFICATIONS

	Maximum lifting capacity (lbs.)	Maximum area for 50 mm Aluminum blinds (sq. ft.)	Maximum area for 50 mm Wood blinds (sq. ft.)	Maximum height with $\varnothing$ 2 mm cord (ft.)	Operator speed (RPM)
404 S2	21	102	46	13	30
404 R2	21	102	46	13	16
409 R2	42	172	92	13	16

*Showroom:*  
2075 Byberry Road  
The Atrium, Suite 108  
Bensalem, PA 19020

*Factory:*  
111 Buck Road  
Unit #900  
Huntingdon Valley, PA 19006