



**DEL MOTORIZED SOLUTIONS**  
(866) 44MOTOR - (215) 639.3880  
WWW.MOTORIZEDSOLUTIONS.COM

### **Standard Battery System (No valance)**

---

1. Fasten standard brackets to mounting surface at the appropriate bracket to bracket distance. For shade to operate properly, brackets must be perfectly level.
2. Open the idle locking bracket so that the idle endplug will be resting on is accessible.
3. Insert motor end of shade onto blade of motor side bracket.
4. Maneuver idle end of shade so that the trapezoidal lug on the endplug rests in the top trapezoidal slot on the idle end bracket.
5. Shade should fit between the brackets with a small amount of play (no more than 1/16").
6. Close the idle locking bracket to hold idle end of shade in place (w/o fascia).
7. **Refer to programming instructions to continue installation.**
8. Adjust shade for telescoping (excessive horizontal movement while the shade rolls up on the tube) if necessary, by shimming with masking tape. Roll shade all the way down and sparingly place masking tape on the side of the tube that the fabric must shift towards to roll evenly. The correct amount of tape is determined by trial and error.

*Showroom:*  
2075 Byberry Road  
The Atrium, Suite 108  
Bensalem, PA 19020

*Factory:*  
111 Buck Road  
Unit #900  
Huntingdon Valley, PA 19006



## DEL MOTORIZED SOLUTIONS

(866) 44MOTOR - (215) 639.3880

WWW.MOTORIZEDSOLUTIONS.COM

### Fascia System

---

1. Fasten fascia brackets to mounting surface with screws at appropriate bracket to bracket width. For shade to operate properly, brackets must be perfectly level.
2. Insert motor end of shade onto blade of motor side fascia bracket.
3. Maneuver idle end of shade so that the trapezoidal lug on the endplug rests on the top trapezoidal slot on the idle end fascia bracket.
4. Shade should fit in between the brackets with a small amount of play (no more than 1/16").
5. Adjust shade for telescoping (excessive horizontal movement while the shade rolls up on the tube) if necessary, by shimming with masking tape. Roll shade all the way down and sparingly place masking tape on the side of the tube that the fabric must shift towards to roll evenly. The correct amount of tape is determined by trial and error.
6. Snap fascia onto fascia brackets securely. You should hear a click on both sides.
7. **Refer to programming instructions to continue installation.**
8. Adjust shade for telescoping (excessive horizontal movement while the shade rolls up on the tube) if necessary, by shimming with masking tape. Roll shade all the way down and sparingly place masking tape on the side of the tube that the fabric must shift towards to roll evenly. The correct amount of tape is determined by trial and error.

## Installation Addendum

*Please Leave for Occupant*

## Fascia Installation Information

---



### CAUTION:

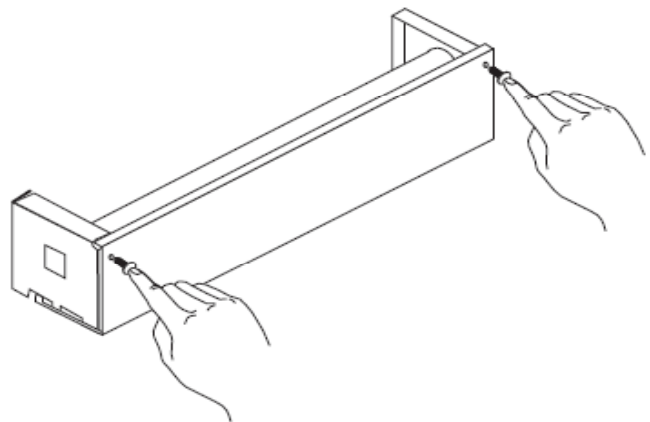
When installing or replacing the fascia you must follow the enclosed installation instruction addendum. If these instructions are not completely followed, the fascia may become dislodged from the brackets and fall, possibly causing injury to persons below the shade.

### Installation of fascia

1. Install shade as per the installation instructions enclosed with your unit.
2. Snap fascia onto the brackets securely. You should hear a click on both sides.
3. Secure the fascia to the brackets using the enclosed christmas tree pins. See Figure A.

**Note:** If the fascia is removed from the shade brackets you must replace the two christmas tree pins after reattaching the fascia.

Figure A



### Showroom:

2075 Byberry Road  
The Atrium, Suite 108  
Bensalem, PA 19020

### Factory:

111 Buck Road  
Unit #900  
Huntingdon Valley, PA 19006



**Stoplight Shade System** (For Fascia system, disregard references to top/back cover, side channel, sill angle or exposed hem bar.)

1. Attach top/back cover to mounting surface.
2. Snap motor and idle brackets onto top/back cover.
3. Fasten fascia brackets to mounting surface with screws through top/back cover at appropriate bracket to bracket width. For shade to operate properly, brackets and top/back cover must be perfectly level.
4. Insert motor end of shade onto blade of motor side fascia bracket.
5. Maneuver idle end of shade so that the trapezoidal lug on the endplug rests on the top trapezoidal slot on the idle end fascia bracket.
6. Shade should fit in between the brackets with a small amount of play (no more than 1/16").
7. **Refer to programming instructions to continue installation.**
8. Adjust shade for telescoping (excessive horizontal movement while the shade rolls up on the tube) if necessary, by shimming with masking tape. Roll shade all the way down and sparingly place masking tape on the side of the tube that the fabric must shift towards to roll evenly. The correct amount of tape is determined by trial and error.
9. Attach sill angle to mounting surface where side channels will rest.
10. Attach side channels to mounting surface (the back surface of the side channel should be flush with the back of the fascia bracket or top/back cover).
  - a. For inside mount, a Phillips head screw must be run through the 1" wall of the side channel into the mounting surface.
  - b. For outside mount, a 3/8" hole (center aligned with vertical groove) must be drilled in the face of the side channel and 1/8" hole must be drilled through the back side. Run the Phillips head screw through the backside of the channel into the mounting surface. Cover the 3/8" holes with hole plugs.
11. Align the top of the fascia to interlock with front of top/back cover.
12. Snap fascia onto fascia brackets securely. You should hear a click on both sides.

## Installation Addendum

*Please Leave for Occupant*

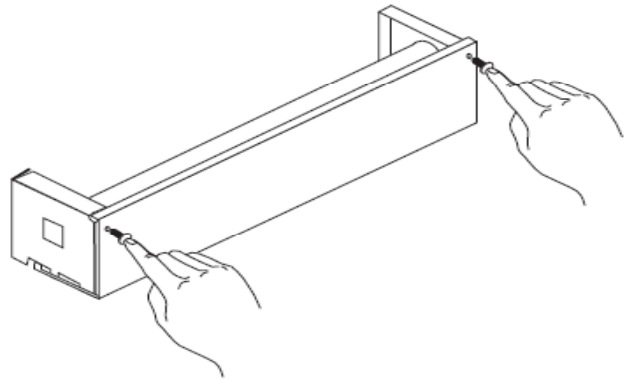
## Fascia Installation Information



### CAUTION:

When installing or replacing the fascia you must follow the enclosed installation instruction addendum. If these instructions are not completely followed, the fascia may become dislodged from the brackets and fall, possibly causing injury to persons below the shade.

Figure A



### Installation of fascia

1. Install shade as per the installation instructions enclosed with your unit.
2. Snap fascia onto the brackets securely. You should hear a click on both sides.
3. Secure the fascia to the brackets using the enclosed christmas tree pins. See Figure A.

**Note:** If the fascia is removed from the shade brackets you must replace the two christmas tree pins after reattaching the fascia.

*Showroom:*  
2075 Byberry Road  
The Atrium, Suite 108  
Bensalem, PA 19020

*Factory:*  
111 Buck Road  
Unit #900  
Huntingdon Valley, PA 19006