

# DEL Motorized Solutions

(866) 44MOTOR - (215) 639.3880

[www.motorizedsolutions.com](http://www.motorizedsolutions.com)

## Glystro® Direct Drive Drapery Motor A Grand Opening in Drapery Automation



*Showroom:*  
2075 Byberry Road  
The Atrium, Suite 108  
Bensalem, PA 19020

*Factory:*  
9300 Ashton Road  
Philadelphia, PA 19114

With smooth operation and noise reduction technology, Glystfo is designed to automate drapery window coverings while offering a variety of control options. Glystfo is available with built-in Radio Technology Somfy™ (RTS) and compatible with all Somfy RTS controls which include a Telis hand held transmitter, Decora wireless wall switch, Chronis programmable timer and home automation interfaces.

## System Facts

**Easy Installation:** Compact and lightweight for simple installation on the wall or ceiling

**Smooth and Quiet Operation:** Direct drive belt motor enables quiet operation at 50 dba.

**Manual Override System:** During power outages it is still possible to manually adjust the drapery.

**Flexible Control Options:** Fully compatible with infrared and Radio Technology Somfy™ (RTS) accessories including home automation interfaces.

**Robust Capacity:** Capable of traversing up to 70 lbs. of fabric 20 ft. with split draw set up.

**Simple to Program:** Advanced electronics eliminates the need for manual limit setting.

## Weight and Size Specifications

### Linear Track

SIDE DRAW		SPLIT DRAW	
TRACK LENGTH	WEIGHT LIMIT	TRACK LENGTH	WEIGHT LIMIT
6.5 FT.	46 LBS.	6.5 FT.	55 LBS.
10 FT.	70 LBS.	10 FT.	70 LBS.
20 FT.	62 LBS.	20 FT.	70 LBS.
30 FT.	55 LBS.	30 FT.	62 LBS.
39 FT.	44 LBS.	39 FT.	55 LBS.

### Curved Track

SIDE DRAW		SPLIT DRAW	
TRACK LENGTH	WEIGHT LIMIT	TRACK LENGTH	WEIGHT LIMIT
15 FT.	44 LBS.	15 FT.	-
20 FT.	33 LBS.	20 FT.	44 LBS.
30 FT.	27.5 LBS.	30 FT.	38.5 LBS.
39 FT.	5.5 LBS.	39 FT.	11 LBS.

## Control Options and Accessories

### Standard Infrared "Point and Shoot" Control



### Advanced Omni-Directional Radio Frequency Control

Telis 1 & 4 RTS Transmitters      Decora RTS Wireless Wall Switches



Chronis Wireless Timer



6300383

### Coming Soon!

### The New Telis Collection

Telis Pure      Telis Silver      Telis Lounge



1 CHANNEL 5 CHANNEL 1 CHANNEL 5 CHANNEL 1 CHANNEL 5 CHANNEL  
1810632 1810633 1810639 1810641 1810650 1810652

Impresario Chronis RTS

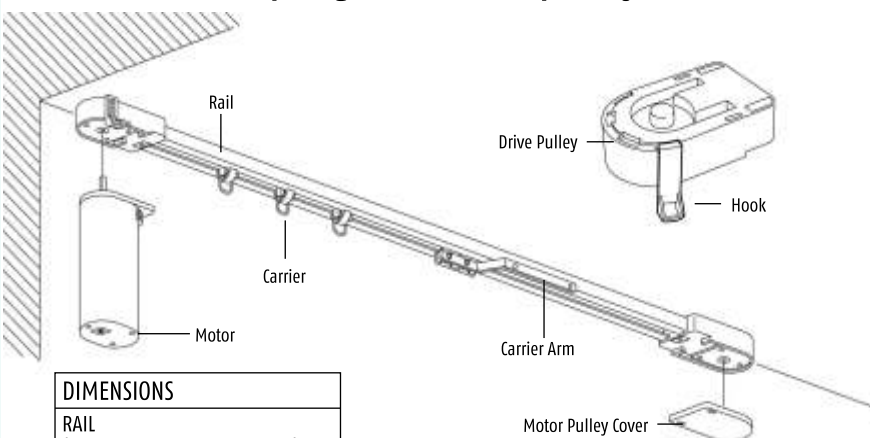
Telis Composio RTS



1810661 1810662 1810660 1810659



### Set Up Diagram of the Complete System



#### DIMENSIONS

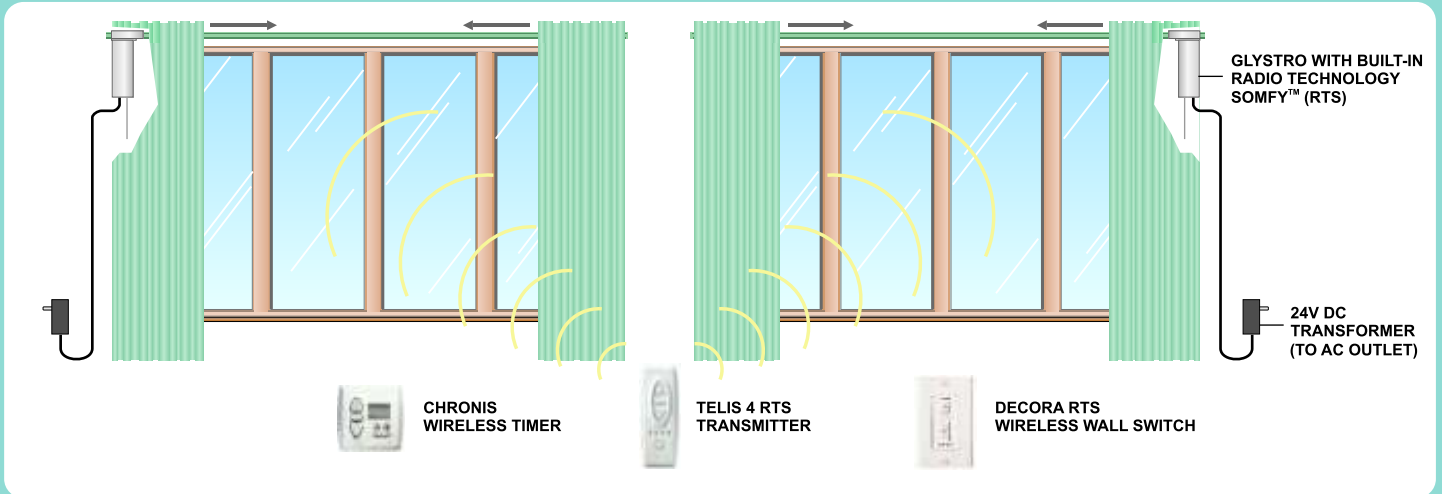
RAIL  
(L-Varies x D-1 3/8" x H-1")

MOTOR  
(W-3" x D-2" x H-9 1/2")

## Choose from a variety of control options including Radio Technology Somfy™ (RTS) accessories.

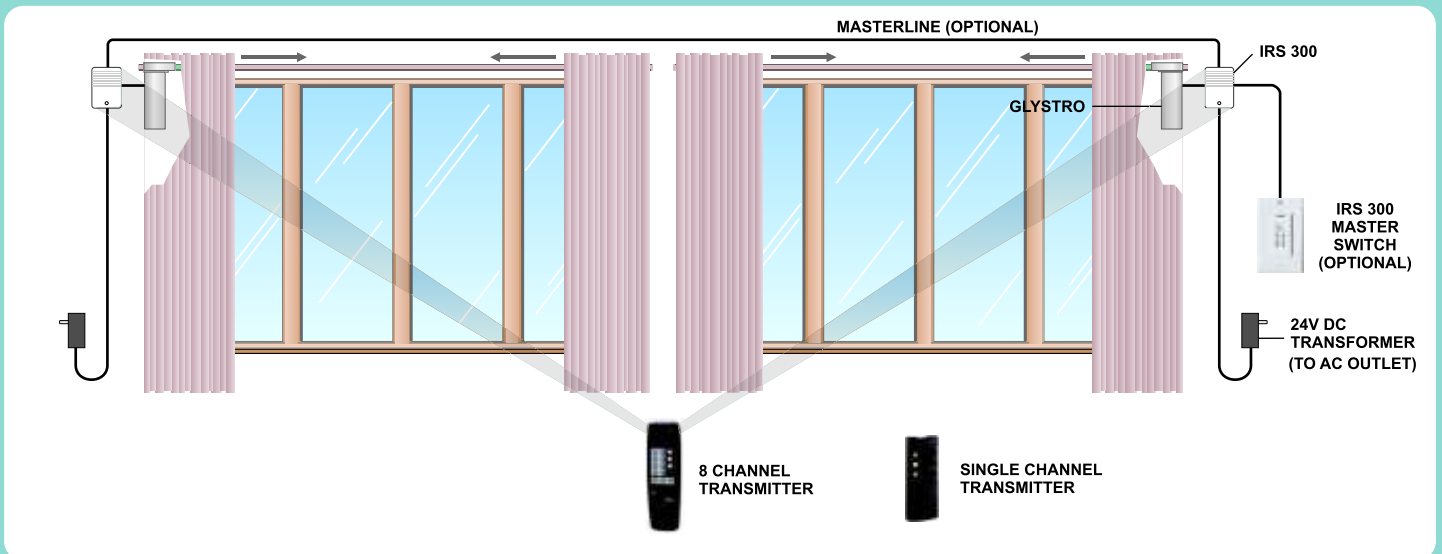
### Radio Technology Somfy™ (RTS)

Long range, omni-directional radio control eliminates the need to point or aim transmitter at a drapery allowing for enhanced control of individual or groups of window coverings. With Radio Technology Somfy™ (RTS) it's possible to combine handheld remotes, wireless wall switches, wireless programmable timers and home automation interfaces for flexible control throughout the home.



### Infrared

Point and shoot a Somfy hand held transmitter to control window coverings within line of sight. Somfy offers a single and 8-channel infrared remote to accommodate varying installation requirements.



### DC Wired Wall Switch

Designed to provide simple hardwired control for Glystro® direct drive drapery motor.

