



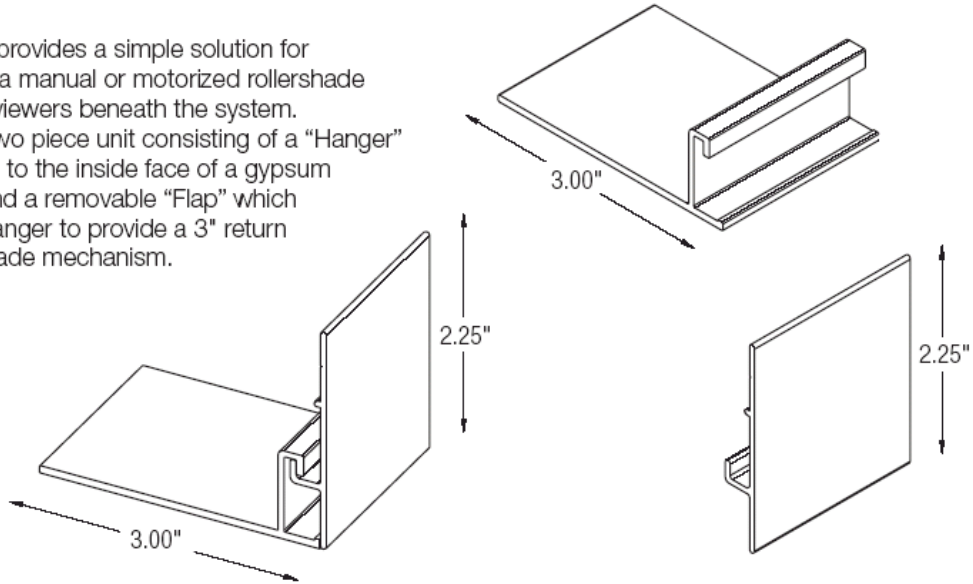
DEL MOTORIZED SOLUTIONS

(866) 44MOTOR - (215) 639.3880

WWW.MOTORIZEDSOLUTIONS.COM

Flap and Hanger

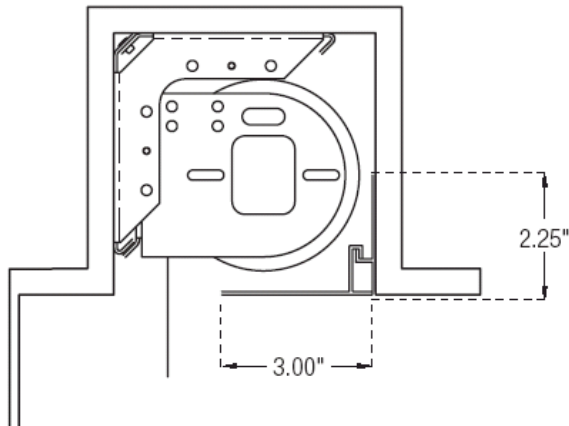
Flap and Hanger provides a simple solution for concealing either a manual or motorized rollershade assemblies from viewers beneath the system. The system is a two piece unit consisting of a "Hanger" which is mounted to the inside face of a gypsum pocket or soffit and a removable "Flap" which attaches to the hanger to provide a 3" return to conceal the shade mechanism.



Specifications

Material	0.063" Extruded Aluminum
Color	White, Bronze, and Anodized Custom colors are available and may result in additional lead time and cost
Length	Available in custom lengths up to 150"

Mounting



Showroom:
2075 Byberry Road
The Atrium, Suite 108
Bensalem, PA 19020

Factory:
111 Buck Road
Unit #900
Huntingdon Valley, PA 19006