



## DEL MOTORIZED SOLUTIONS

(866) 44MOTOR - (215) 639.3880

WWW.MOTORIZEDSOLUTIONS.COM

**Note – Lines #1 and #2 are only applicable if your shade included the rarely used Top/Back cover. If Top/Back cover was not included in your order, please skip to line #3.**

1. Attach top/back cover to mounting surface by installing anchors through the cover into your wall/ceiling (Install anchors a minimum of 4" for the left and right edge so that the screw head will not interfere with the bracket). For shade to operate properly, top/back cover must be perfectly level.
2. Snap the motor and idle brackets onto top/back cover.
3. Fasten fascia brackets to mounting surface with screws (through top/back cover if applicable) at appropriate bracket-to-bracket width. For shade to operate properly, brackets must be perfectly level.
4. Insert motor end of shade onto blade of motor side fascia bracket (It will be a VERY snug fit – push hard but be careful not to bend teardrop).
5. Maneuver idle end of shade so that the trapezoidal lug on the end plug rests on the top trapezoidal slot on the idle end fascia bracket.
6. Shade should fit in between the brackets with a small amount of play (no more than 1/16").
7. Refer to programming instructions to continue installation.
8. Adjust shade for telescoping (excessive horizontal movement while the shade rolls up on the tube) if necessary, by shimming with masking tape. Roll shade all the way down and sparingly place masking tape on the side of the tube that the fabric must shift towards to roll evenly. The correct amount of tape is determined by trial and error.
10. Align the top of the fascia to interlock with front of brackets (see picture below).
11. Snap fascia onto fascia brackets securely. You should hear a click on the idle side.
12. \*Install a screw through the predrilled hole under the fascia on the idle side ( it will not go through a hole in the bracket but will prevent the fascia from swiveling) and the motor side. Install color-coordinating cap to hide screw.
13. Snap end cap onto motor and idle brackets (outside mount shades) to conceal.

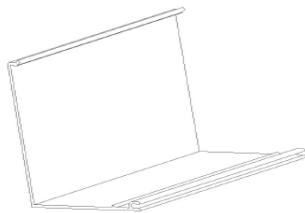
### Optional Side Channels and Sill Angle

Attach side channels to mounting surface (the back surface of the side channel should be flush with the back of the fascia bracket or top/back cover).

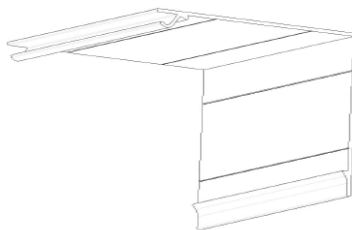
- a. For inside mount, a Phillips head screw must be run through the 1" wall of the side channel into the mounting surface.
- b. For outside mount, a 3/8" hole (center aligned with vertical groove) must be drilled in the face of the side channel and 1/8" hole must be drilled through the back side. Run the Phillips head screw through the backside of the channel into the mounting surface. Cover the 3/8" holes with hole plugs.

Attach sill angle to mounting surface where side channels will rest. Extra vinyl strips may be included in shipment but will NOT be used.

### Option Parts Description

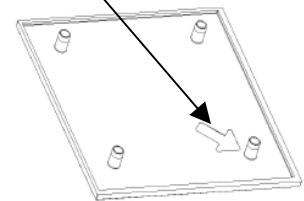


Fascia ("L" shape cover with brush)



Top/Back Cover ("7" shape rear cover – no brush)

Arrow indicates bottom FRONT



Fascia end Caps (Used for outside mount)

*Showroom:*  
2075 Byberry Road  
The Atrium, Suite 108  
Bensalem, PA 19020

*Factory:*  
111 Buck Road  
Unit #900  
Huntingdon Valley, PA 19006

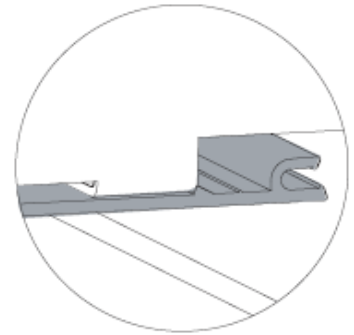
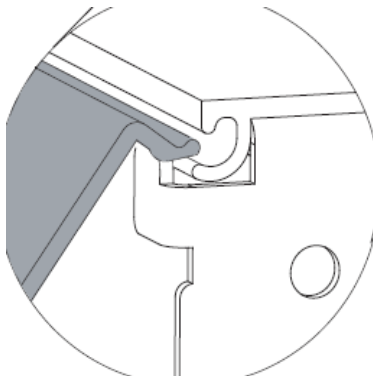


**DEL MOTORIZED SOLUTIONS**

(866) 44MOTOR - (215) 639.3880

WWW.MOTORIZEDSOLUTIONS.COM

### Fascia installation diagrams



### Bracket Pictures



Idle Bracket



Motor Bracket



Motor installed to bracket

**\*Caution: When installing or replacing the fascia you must follow the installation instructions. If the instructions are not completely followed, the fascia may become dislodged from the brackets and fall, possibly causing injury to persons below the shade. It is very important to secure the fascia to the brackets with the screws provided. DO NOT OVER TIGHTEN.**



*Showroom:*  
2075 Byberry Road  
The Atrium, Suite 108  
Bensalem, PA 19020

*Factory:*  
111 Buck Road  
Unit #900  
Huntingdon Valley, PA 19006