

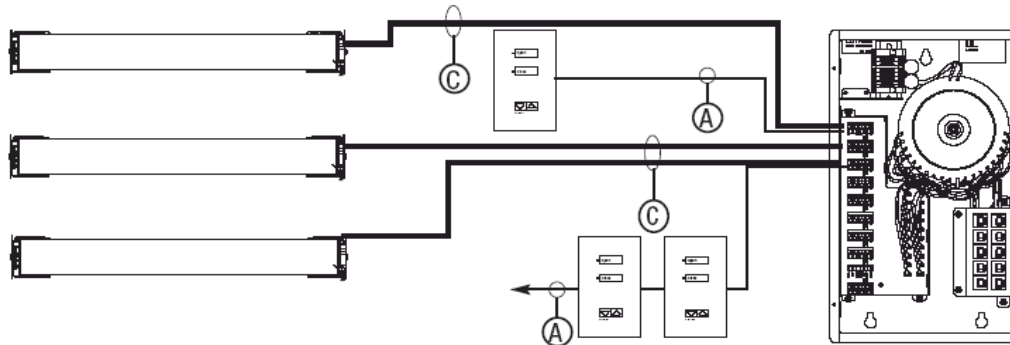


DEL MOTORIZED SOLUTIONS

(866) 44MOTOR - (215) 639.3880

WWW.MOTORIZEDSOLUTIONS.COM

Sivoia QED™ | wiring using power panels






- Number of keypads per power panel not to exceed number of EDUs per panel
- Maximum of four keypads per home run wire to terminal block

WIRE TYPES

MAXIMUM WIRE LENGTH

ICON

(A) Communications Link 4 Conductor #18AWG (twisted and shielded) Maximum comm Link - 4000 feet	Keypad to Power Panel 1 keypad - 1000 feet 2 keypads - 500 feet 3 keypads - 300 feet 4 keypads - 200 feet	
Note: Lutron cable GRX-CBL-346S-500 can be used for the 4-wire communication link so long as the #18awg conductors are used for +12V and Common.		
(B) Power Supply 3 Conductor #16-20AWG	EDU to Panel #16AWG - 200 feet #18AWG - 150 feet #20AWG - 100 feet	
(C) SVQ-CBL-250 ((A) and (B) combined) 7 Conductor, being: 2- #16AWG Power Supply (red, red/white) 1 -#18AWG Earth Ground (green/yellow) 4- #18AWG Comm Link (blue, yellow, violet, gray, twisted and shielded)	EDU to Power Panel - 200 feet 1 keypad to Power Panel - 1000 feet 2 keypads to Power Panel - 500 feet 3 keypads to Power Panel - 300 feet 4 keypads to Power Panel - 200 feet	

Note: If Sivoia QED cable is used for keypad wiring, there would be extra conductors left unused.

Note: power supply wires should NOT be in the same shielding as communication wires.